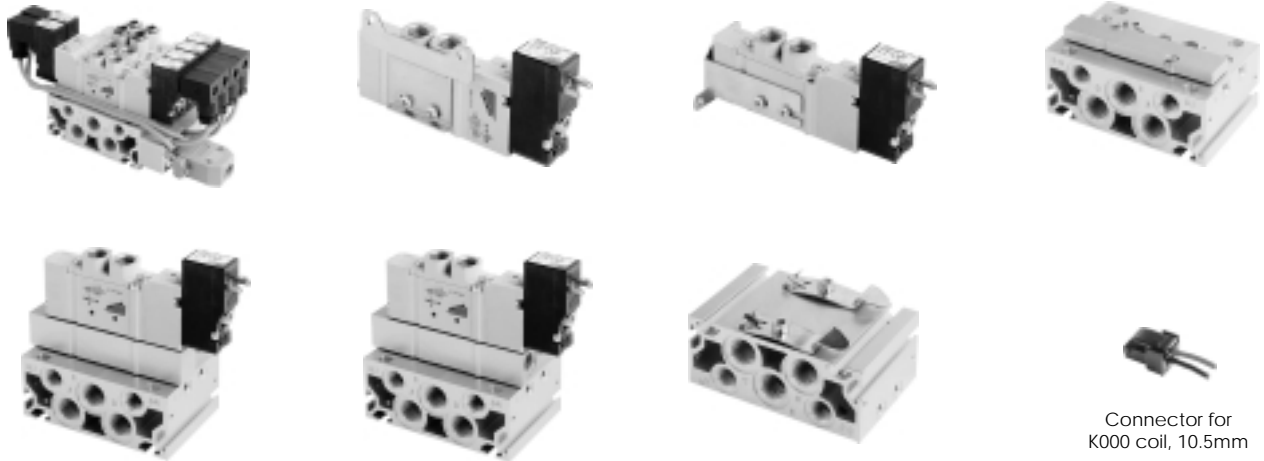


Accessories for valves and solenoid valves Series E



Connector for K000 coil, 10.5mm

The power supply unit mod. G#P°-E-B** - M** and G#P°-F-B** - M** is made of a multipin connector allowing the grouping and distribution of the electrical signals directly to the coils.

This modular characteristic allows specific applications requiring integrated systems made of two to twelve monostable valves and of two to six bistable valves. Just one cable is necessary to connect the multipin connector to the BUS or to the PLC system.

The horizontal feet mod. B1 and the vertical feet mod. B2 are used for fixing the threaded valves to a flat surface. The vertical mod. B2 can be used only with monostable valves.

The intermediate connection plates (mod. PCP) for manifolds can be used where one or more valves must be supplied with an inlet pressure different from that of the manifolds. The intermediate connection plates for manifolds mod. PCS can be used where one or more valves must have separate exhausts.

Both models of connection plate come complete with interface seals, screws and location pin.

The brackets (mod. PCF) for connection to channel DIN EN 50022 is fixed to the bottom face of the manifold by means of a screw. Two brackets need to be fixed on the manifold. The blanking plates (mod. TP) are used on the manifold to close off one or more positions.

Coding of accessories

Power supply unit:

- G#P° - E - B** - M** (for valves size 16 and 19)
- G#P° - F - B** - M** (for valves size 27.5)
- G1 = power supply unit 15 poles IP 20 (up to 120V AC, DC)
- G2 = power supply unit 25 poles IP 20 (up to 48V AC, DC)
- G3 = power supply unit 15 poles IP 54 (up to 120V AC, DC)
- G4 = power supply unit 25 poles IP 54 (up to 120V AC, DC)
- PA = standard connector (catalogue)
- PB = direct current + protection
- PC = direct current + protection + led
- PM = alternate current + protection
- B** = number of bistable solenoid valves
- M** = number of monostable solenoid valves

Horizontal feet for valves with outlets on the body:

- B1-E521 (for valves size 10.5)
- B1-E531 (for valves size 16 and 19)
- B1-E571 (for valves size 27.5)

Vertical feet for valves with outlets on the body (monostable only):

- B2-E521 (for valves size 10.5)
- B2-E531 (for valves size 16 and 19)
- B2-E571 (for valves size 27.5)

Blanking plate for manifolds:

- TP-E521 (threaded valves size 10.5)
- TP-E531 (threaded valves size 16)
- TP-E551 (threaded valves size 19)
- TP-E571 (threaded valves size 27.5)

- TP-E520 (threaded valves size 10.5)
- TP-E530 (threaded valves size 16)
- TP-E550 (threaded valves size 19)
- TP-E570 (threaded valves size 27.5)

Intermediate plate for manifolds for valves with separate supply in 1:

- PCP-E521 TF (threaded valves size 10.5)
- PCP-E531 TF (threaded valves size 16)
- PCP-E551 TF (threaded valves size 19)
- PCP-E571 TF (threaded valves size 27.5)

- PCP-E520 TF (threaded valves size 10.5)
- PCP-E530 TF (threaded valves size 16)
- PCP-E550 TF (threaded valves size 19)
- PCP-E570 TF (threaded valves size 27.5)

Intermediate plate for manifolds for valves with separate supply in 3 and 5:

- PCS-E521 TF (threaded valves size 10.5)
- PCS-E531 TF (threaded valves size 16)
- PCS-E551 TF (threaded valves size 19)
- PCS-E571 TF (threaded valves size 27.5)

- PCS-E520 TF (threaded valves size 10.5)
- PCS-E530 TF (threaded valves size 16)
- PCS-E550 TF (threaded valves size 19)
- PCS-E570 TF (threaded valves size 27.5)

Mounting brackets for DIN rail channel EN 50022 (7,5x35 with 1mm):

- PCF-E520 (suitable for all manifolds)

Female Plug SUB-D for power supply unit

- G1 X-3 plug SUB-D 15 poles IP20 lead 3 mm
- G2 X-3 plug SUB-D 25 poles IP20 lead 3 mm
- G3 X-3 plug SUB-D 15 poles IP54 lead 3 mm
- G4 X-3 plug SUB-D 25 poles IP54 lead 3 mm

**Power supply unit for solenoid valves
assembled on manifolds.**

Mod. G#P°-E-B -M****

(for valves size 16 and 19)

The power supply unit Mod. G#P°-E-B** -M** and G#P°-F-B** -M** is made up of a 15 and 25 pin connector (DIN 41652) as well as of modules to which the coil lead wires can be connected. The maximum number of coils that can be connected to the power supply unit is 12 and 22. It is recommended to use the power supply unit in cabinets or in protected environments.

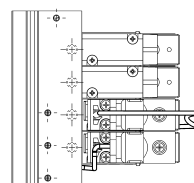
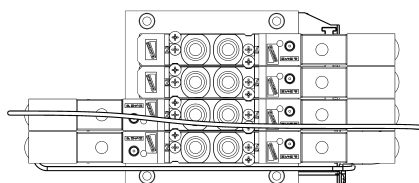
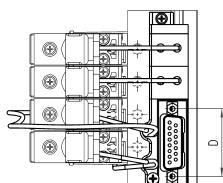
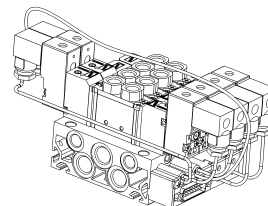
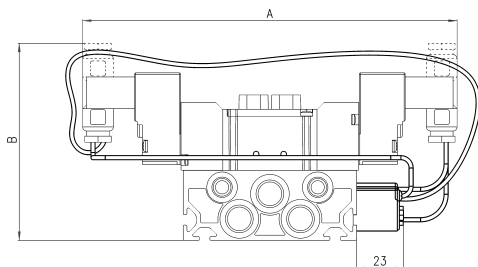
Mod. G#P°-F-B -M****

(for valves size 27.5)

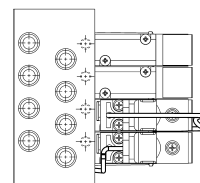
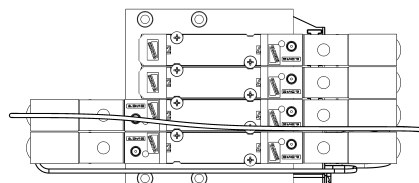
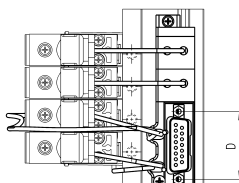
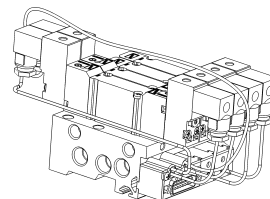
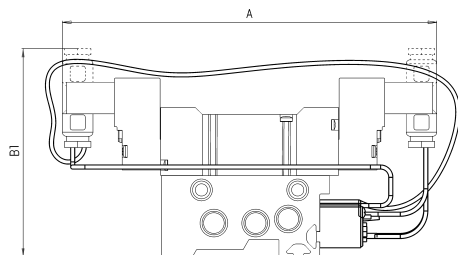
(see coding shown on page 02.07.071)

The power supply unit can be assembled only on manifolds for solenoids valves size 16, 19 and 27.5.

2



	15 PIN	25 PIN
	G1*	G2*
D	33.2	47

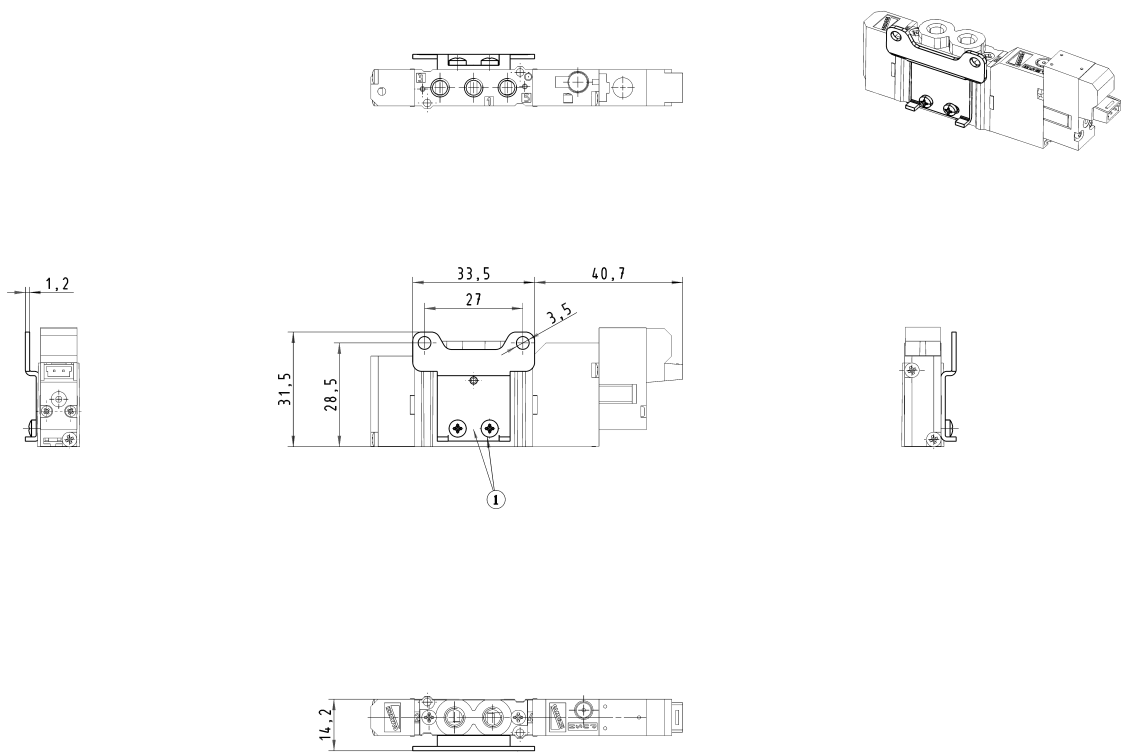


Size	A	B	B1	C	C1
16	183.6	82.8	88.4	97,4	103
19	191.5	88.9	103.9	103.5	118,5
27.5	211.6	80.6	110	105.2	124,6

Note: For the manifold pin number location contact our technical engineers

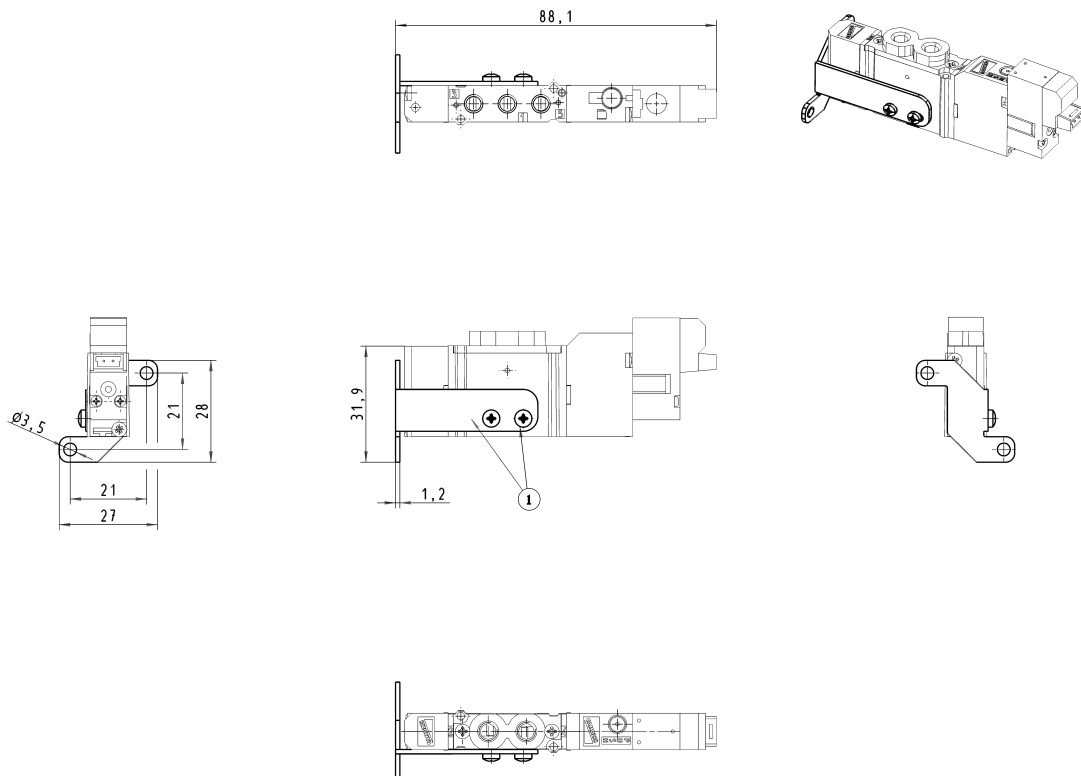
Horizontal mounting foot bracket for valves with outlets on the body 10,5

Mod. B1-E521



Vertical mounting foot bracket for valves with outlets on the body 10,5
(monostable valves only)

Mod. B2-E521

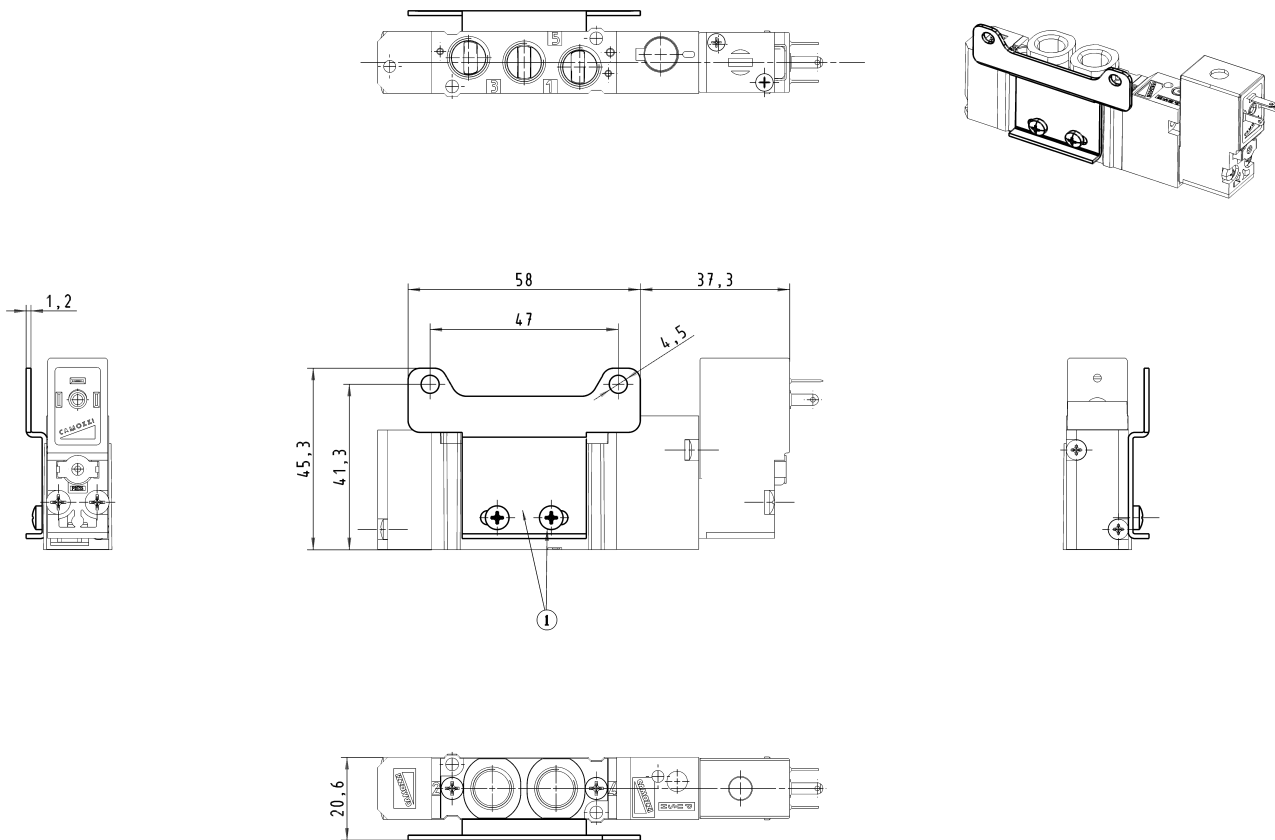


Dimensions in mm

Horizontal mounting foot bracket for valves with outlets on the body size 16

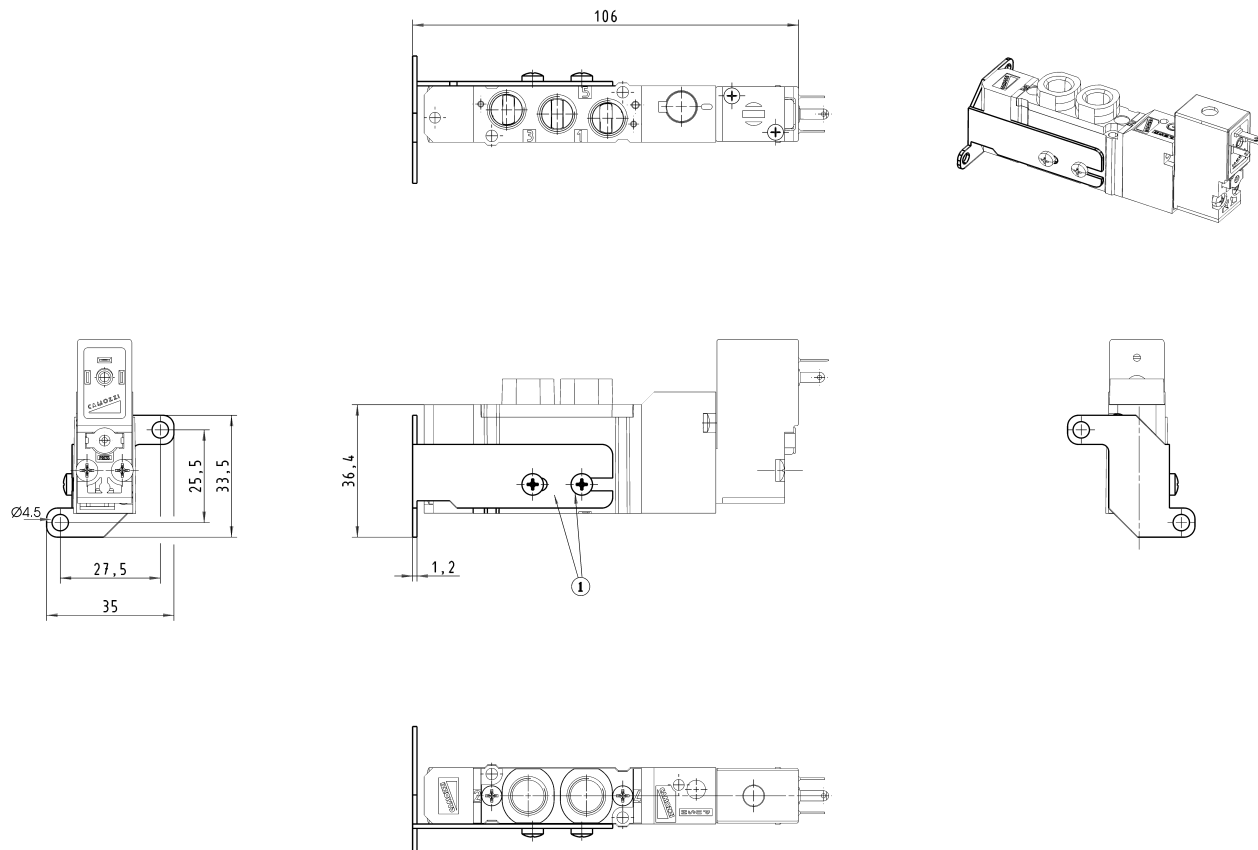
Mod. B1-E531

2



Vertical mounting foot bracket for valves with outlets on the body size 16
(monostable valves only)

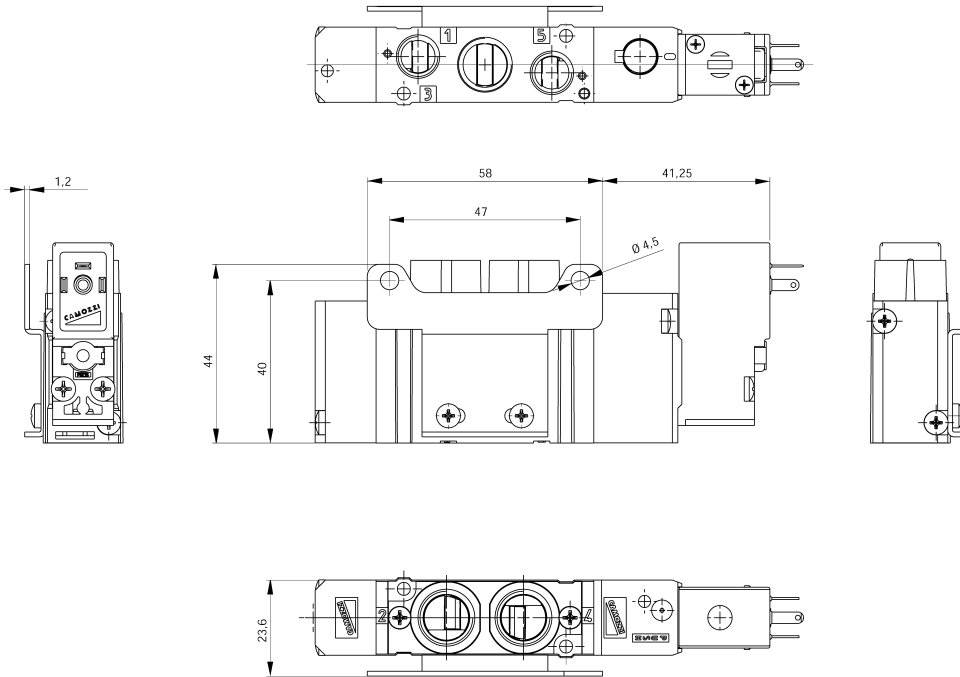
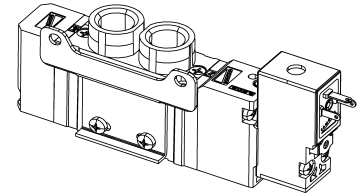
Mod. B2-E531



Dimensions in mm

Horizontal mounting foot bracket for valves with outlets on the body size 19

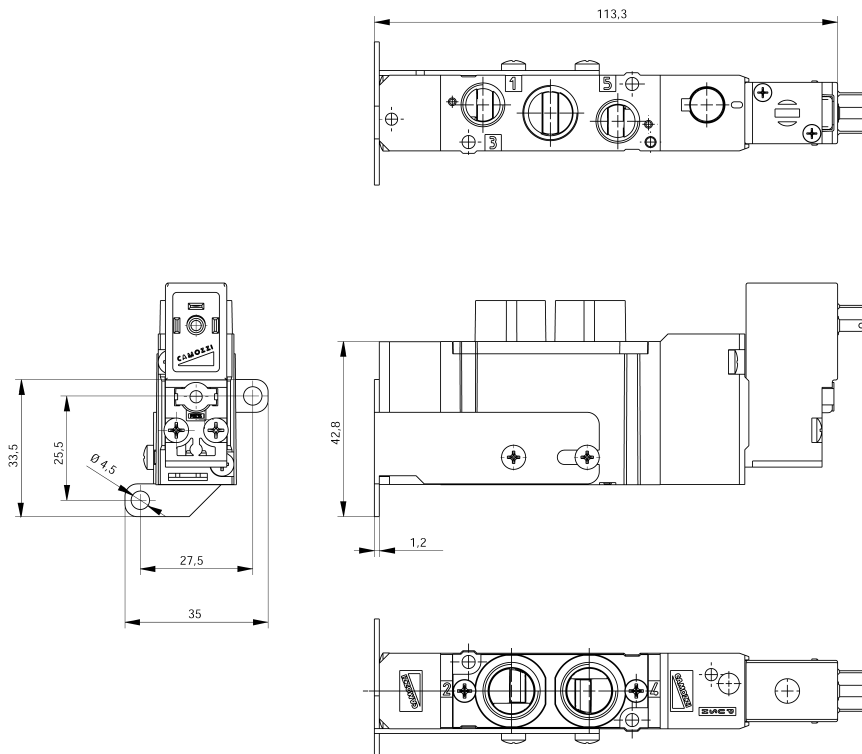
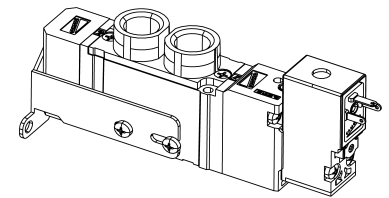
Mod. B1-E531



2

Vertical mounting foot bracket for valves with outlets on the body 19
(monostable valves only)

Mod. B2-E531

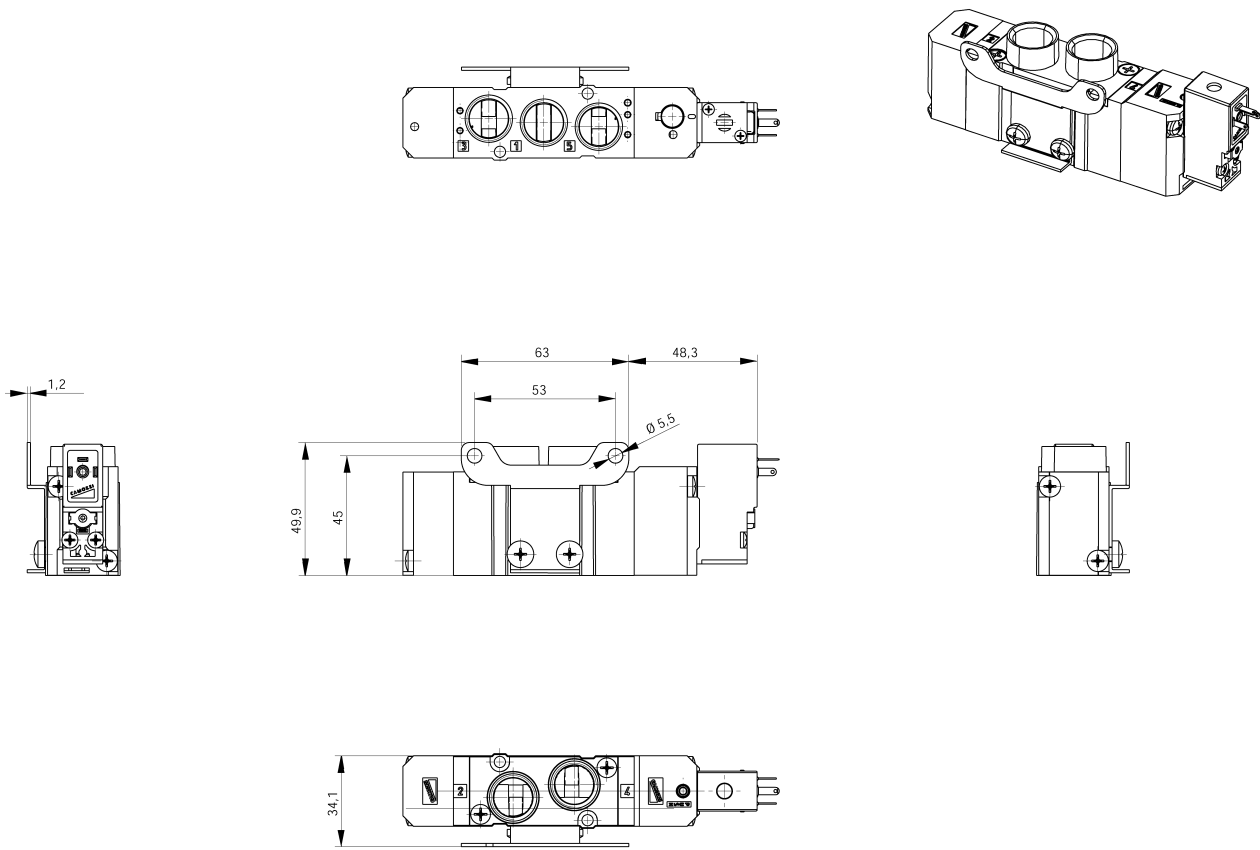


Dimensions in mm

Horizontal mounting foot bracket for valves with outlets on the body size 27.5

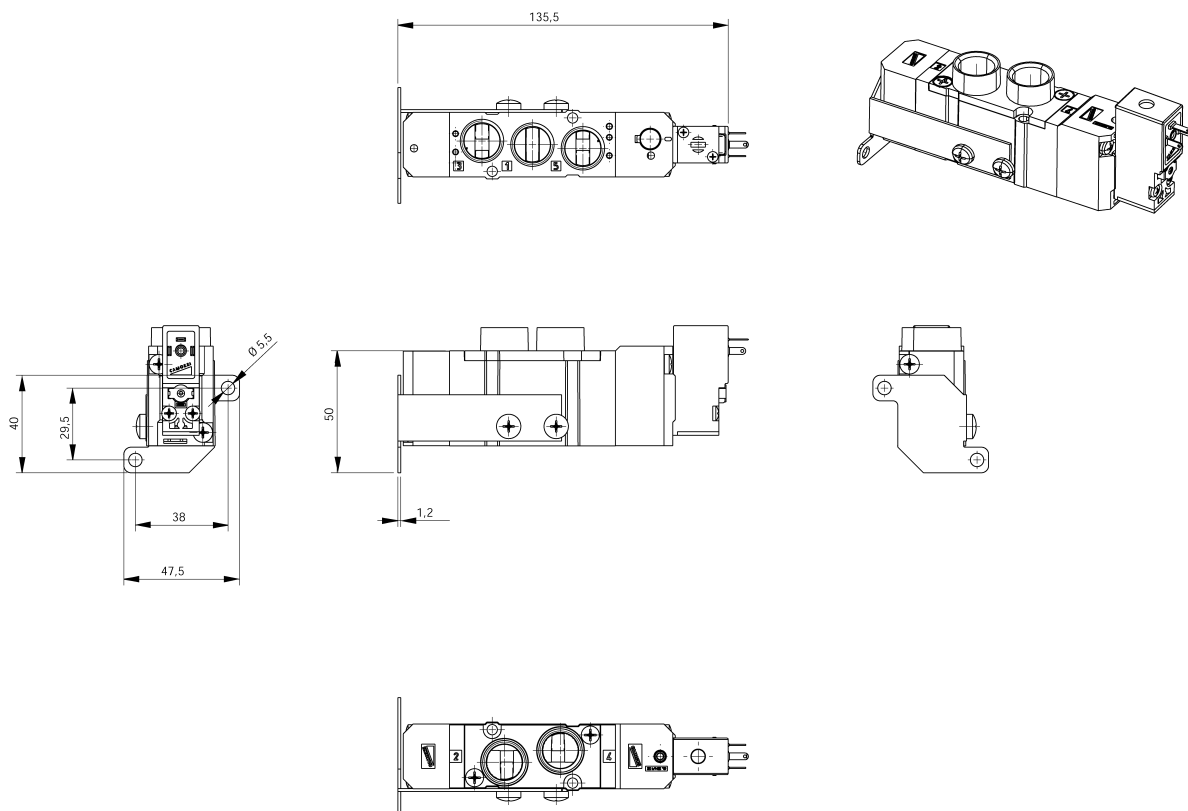
Mod. B1-E571

2



Vertical mounting foot bracket for valves with outlets on the body 27.5 (monostable valves only)

Mod. B2-E571

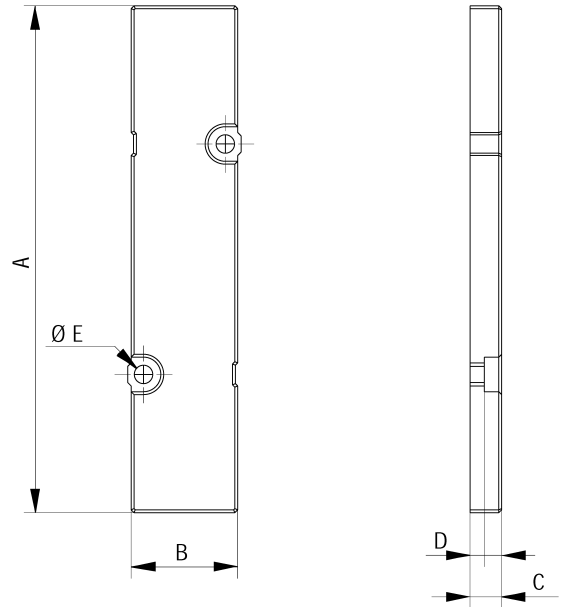
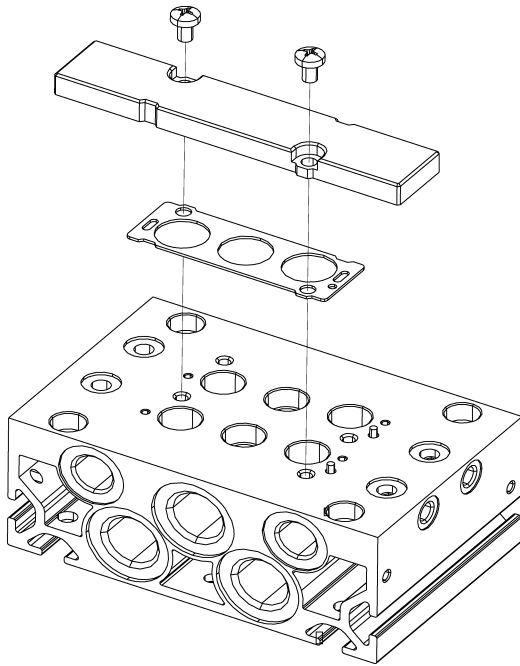


Dimensions in mm

Blanking plate for manifolds - valves with outlets on the body

Mod. TP-E5*1

* see table for size

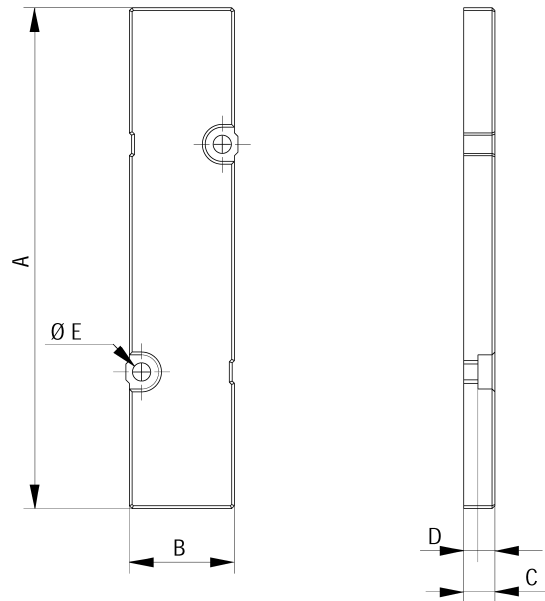
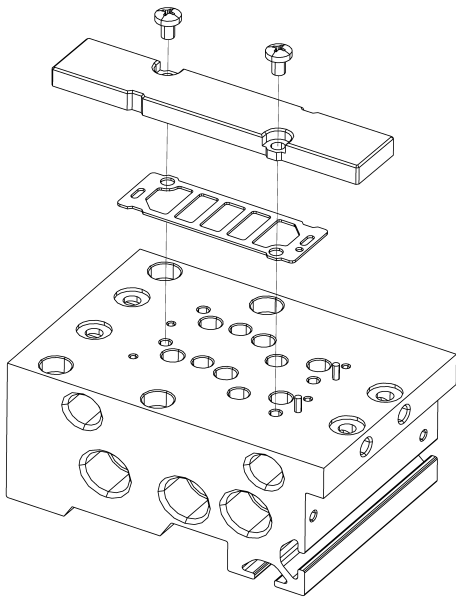


Mod.	Size	A	B	C	D	Ø E
TP-E521	10,5	66	10	6	3,5	2,1
TP-E531	16	79,6	15,5	6	3,5	3,2
TP-E551	19	88	18,5	6	3	3,2
TP-E571	27,5	114	26,5	6	2,7	4,2

Blanking plate for manifolds - base mounted valves

Mod. TP-E5*0

* see table for size



Mod.	Size	A	B	C	D	Ø E
TP-E520	10,5	66	10	6	3,5	2,1
TP-E530	16	79,6	15,5	6	3,5	3,2
TP-E550	19	88	18,5	6	3	3,2
TP-E570	27,5	114	26,5	6	2,7	4,2

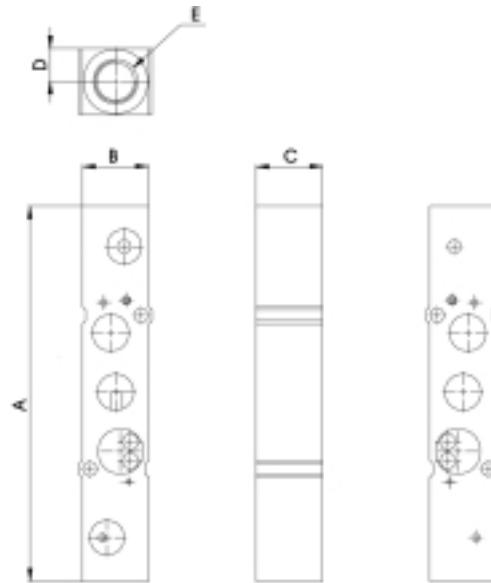
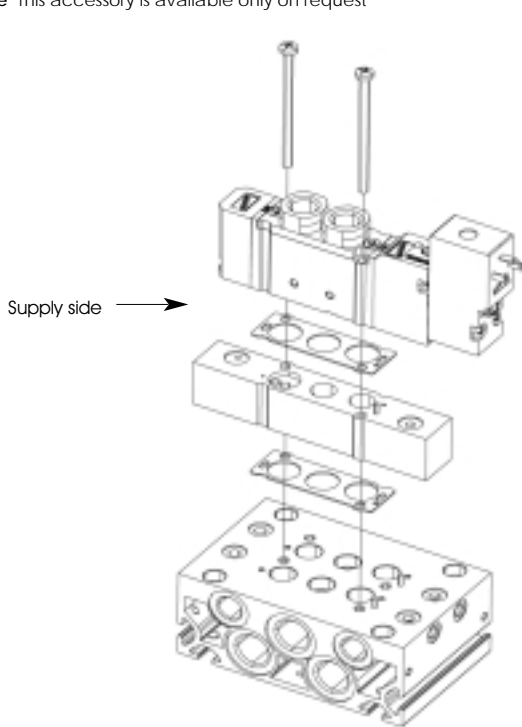
Dimensions in mm

Intermediate plate for valves to provide a separate supply in 1
Valves with outlets on the body

Mod. PCP-E5*1TF

*Please, specify the valve size, see the table below

Note This accessory is available only on request



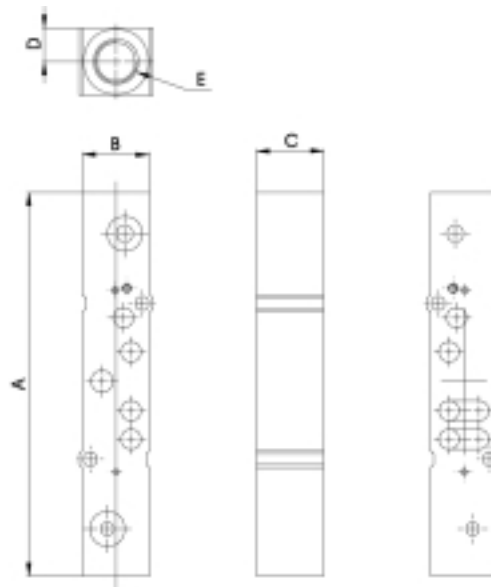
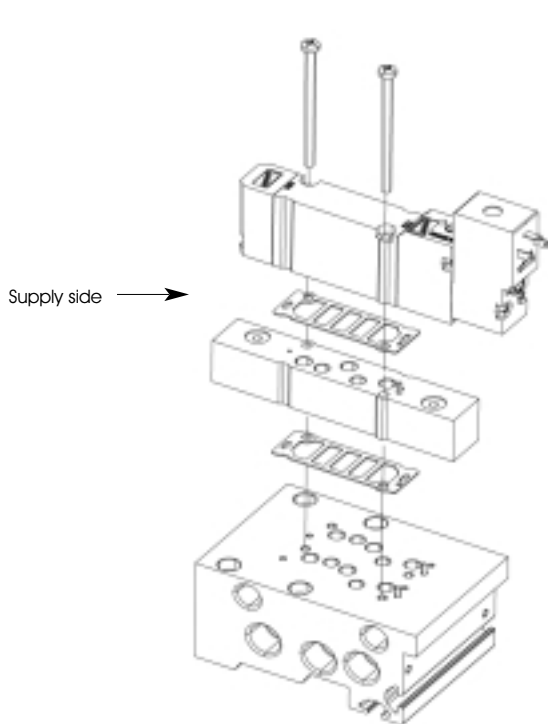
Mod.	Size	A	B	C	D	E
PCP-E521 TF	10.5	72,5	10	10	5	M5 (1032 UNF)
PCP-E531 TF	16	88,6	15,5	18	7,7	1/8 NPTF
PCP-E551 TF	19	100	18,5	20	10	1/4 NPTF
PCP-E571 TF	27.5	122,5	26,5	24	12	3/8 NPTF

Intermediate plate for valves to provide a separate supply in 1
Valves for base mounting

Mod. PCP-E5*0TF

*Please, specify the valve size, see the table below

Note This accessory is available only on request



Mod.	Size	A	B	C	D	E
PCP-E520 TF	10.5	72,5	10	10	5	M5 (1032 UNF)
PCP-E530 TF	16	88,6	15,5	18	7,7	1/8 NPTF
PCP-E550 TF	19	100	18,5	20	10	1/4 NPTF
PCP-E570 TF	27.5	122,5	26,5	24	12	3/8 NPTF

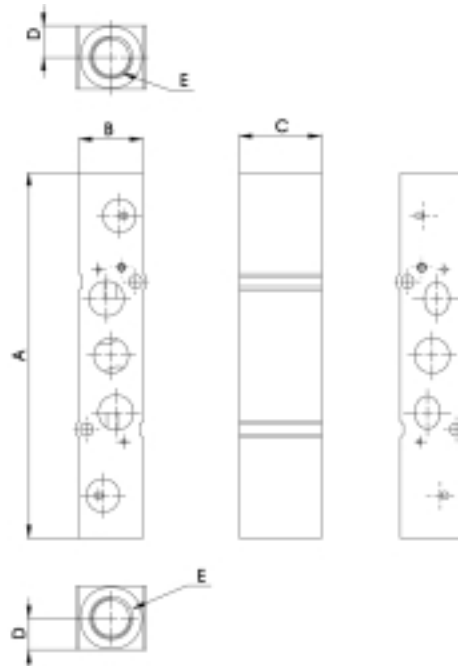
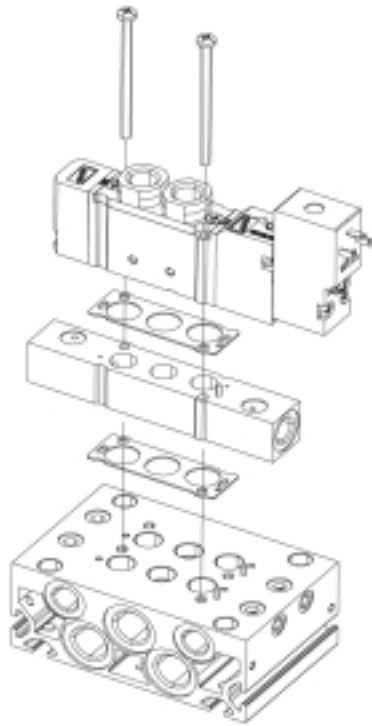
Dimensions in mm

**Intermediate plate for valves to provide separate supply in 3 and 5
Valves with outlets on the body**

Mod. PCS-E5*1TF

*Please, specify the valve size, see the table below

Note This accessory is available only on request



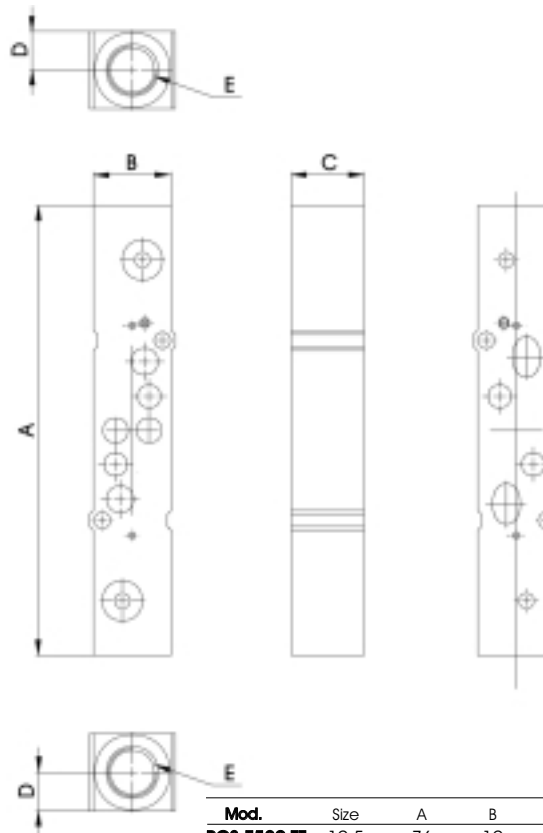
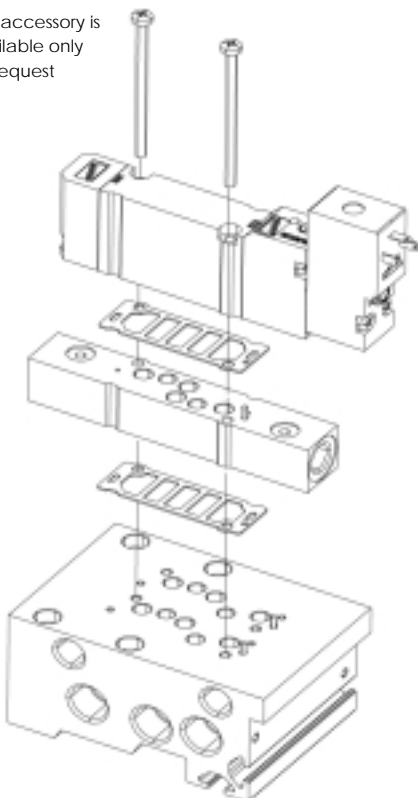
Mod.	Size	A	B	C	D	E
PCS-E521 TF	10.5	76	10	10	5	M5 (10-32 UNF)
PCS-E531 TF	16	90	15,5	18	7,7	1/8 NPTF
PCS-E551 TF	19	105	18,5	20	10	1/4 NPTF
PCS-E571 TF	27.5	130	26,5	24	12	3/8 NPTF

**Intermediate plate for valves to provide separate supply in 3 and 5
Valves for base mounting**

Mod. PCS-E5*0TF

*Please, specify the valve size, see the table below

Note This accessory is available only on request



Mod.	Size	A	B	C	D	E
PCS-E520 TF	10.5	76	10	10	5	M5 (10-32 UNF)
PCS-E530 TF	16	90	15,5	18	7,7	1/8 NPTF
PCS-E550 TF	19	105	18,5	20	10	1/4 NPTF
PCS-E570 TF	27.5	130	26,5	24	12	3/8 NPTF

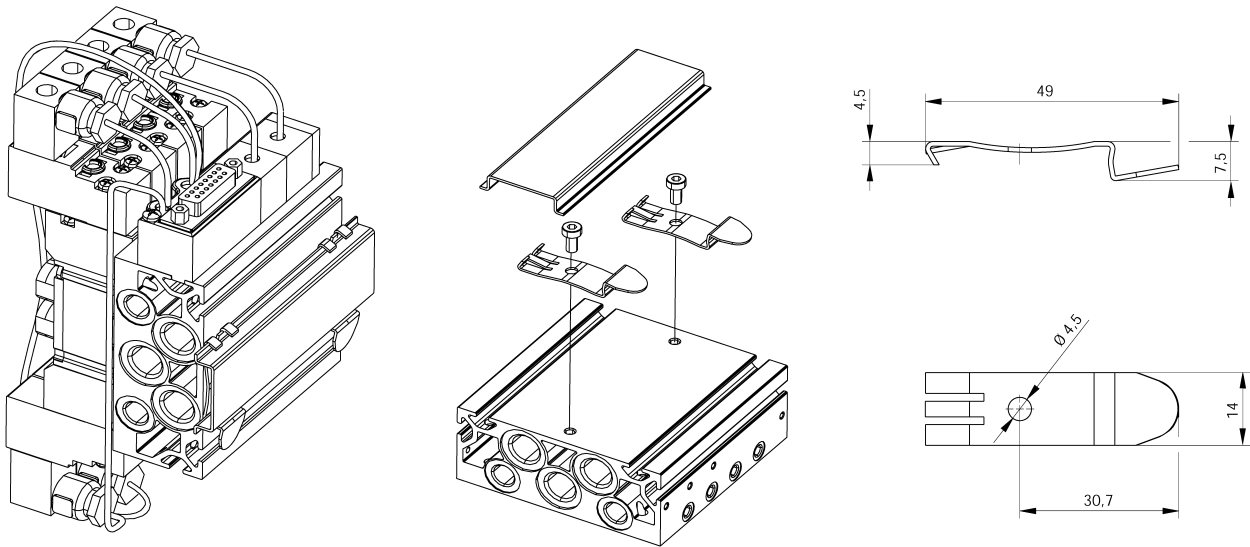
Dimensions in mm

Mounting brackets for DIN rail channel EN 50022 (7,5 x 35 - width 1 mm)
Suitable for all manifolds

Mod. PCF-E520

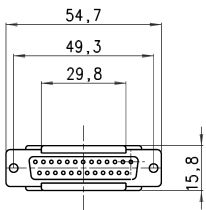
Two plates and screws are included in the kit.

2

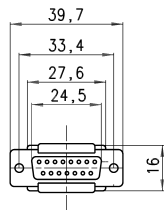


Dimensions in mm

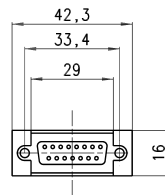
15 and 25 poles female connector



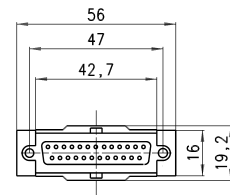
Mod. G2 x-3



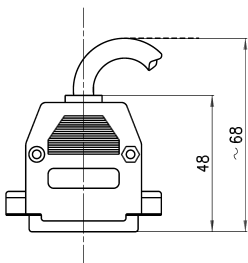
Mod. G1 x-3



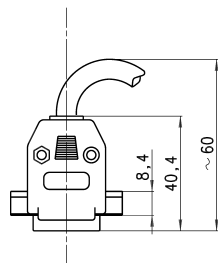
Mod. G3 x-3



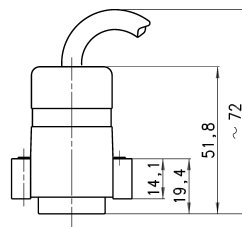
Mod. G4 x-3



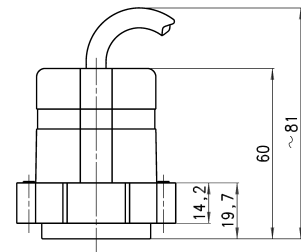
PLUG SUB-D 25 poles
IP20 lead 3mm



PLUG SUB-D 15 poles
IP20 lead 3mm

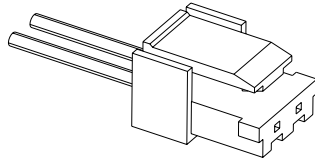


PLUG SUB-D 15 poles
IP54 lead 3mm



PLUG SUB-D 25 poles
IP54 lead 3mm

Connector for valve size 10.5



- mod. 121-803 (with 300 mm lead)
- mod. 121-806 (with 600 mm lead)
- mod. 121-810 (with 1000 mm lead)

