

Solenoid operated**Page numbers**

1/2" 3/2 and 5/2	Pilot solenoid operated	1600.2 - 1600.5
1/2" 3/2 and 5/2	Pilot solenoid operated, latch lock	1600.2 - 1600.5

Pilot operated**Page numbers**

1/2" 3/2 and 5/2	Pilot operated, spring return	1600.6 - 1600.7
1/2" 3/2 and 5/2	Pilot operated, pilot return	1600.6 - 1600.7
1/2" 3/2 and 5/2	Pilot operated, spring return, latch lock	1600.6 - 1600.7

Manually operated**Page numbers**

1/2" 3/2 and 5/2	Pad operated, spring return	1600.8 - 1600.9
1/2" 3/2 and 5/2	Pad operated (Push-Pull)	1600.8 - 1600.9
1/2" 3/2 and 5/2	Pad operated, pilot air return	1600.8 - 1600.9
1/2" 3/2 and 5/2	Lever operated, spring return	1600.10 - 1600.11
1/2" 3/2 and 5/2	Lever operated, with detent	1600.10 - 1600.11
1/2" 3/2 and 5/2	Key operated	1600.10 - 1600.12

Symbols used in this catalogueCorrosion
resistance

Air



Gas



Water



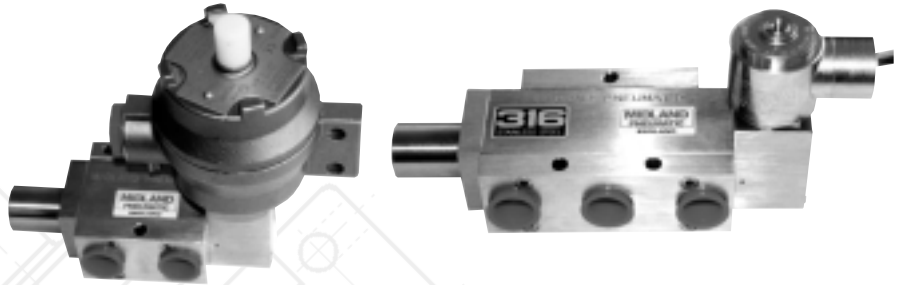
Oil

CENELEC
approvalUL
listed**NOTE:** All flow factors to ISO 6358 (BS7294)

General description and benefits

A range of compact 3/2 and 5/2 pilot solenoid operated spool valves in stainless steel or brass for use on gases and liquids.

- Hazardous area solenoids.
- Coil with 316 or aluminium housing.
- Block before bleed.
- CENELEC approvals.
- UL Listed CSA approvals.



Operating fluids

Gases

Filtered lubricated or non-lubricated air, inert gas, sweet (natural) gases.
Sour gas option available (details on application)

Liquids

Low pressure hydraulic, mineral oil or water.

Technical data

Ports

1/2"NPT (BSP option available)
1/8"NPT pilot ports

Cv (Kv)

3/2 valves 3.5 (53)
5/2 valves 3.5 (53)

Working pressure (gases & liquids)

Single solenoid valves
3 to 12 bar (45 to 174 psi)
Double solenoid valves
2 to 12 bar (30 to 174 psi)

Working temperature

Valve only
-20°C to +180°C (-4°F to +356°F)
Solenoid - Ambient temperature
-20°C to +65°C (-4°F to +149°F)

Minimum pilot pressure

at 6.3 bar (90 psi) body pressure
Pilot return 2.0 bar (30 psi)

Maximum flow

at 6 bar (87 psi), 1 bar (14.5 psi) differential
3/2 valves - 3500 L/min (123 SCFM)
5/2 valves - 3500 L/min (123 SCFM)

Materials of construction

Body

Stainless steel AISI 316L
to NACE MR-01-75
Brass CZ 121M

Spool

Stainless steel AISI 316L
to NACE MR-01-75

Spring

316 Stainless steel

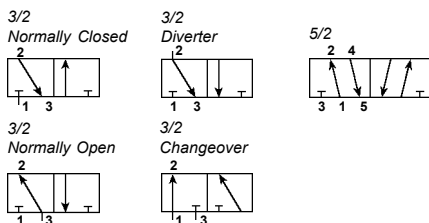
Seals

Fluoroelastomer

Solenoid

Refer to solenoid specification

Functional symbols



Instrument signals

Valves with side mounted solenoids can be supplied to operate on instrument signals, typically 0 to 1.5 bar (0 to 21 psi). A separate supply to the pilot solenoid is necessary. This supply is 2 bar (30 psi) minimum for the double pilot and 3 bar (45 psi) minimum for the single pilot.

Model code

3/2 valves

4 3 2 6 * * * * S 2 B * *
① ② ③ ④ ⑤ ⑥ ⑦

5/2 valves

4 5 2 6 * * * * S 2 B * *
① ② ③ ④ ⑤ ⑥ ⑦

① **Type**
B = Bi stable
M = Mono stable

② **Operator (LH or Top)**
1 = Air
2 = Spring
3 = Side solenoid
E = End solenoid

③ **Operator (RH or Bottom)**
3 = Side solenoid
E = End solenoid

④ **Accessories**
- = None
2 = Latch Lock, Manual reset
8 = Reverse Latch Lock, Manual reset

⑤ **Body / Seals**
V = Stainless Steel / Fluoroelastomer
R = Brass / Fluoroelastomer
B = Brass / Nitrile

⑥ **Solenoid type**
See solenoid model codes on page 1500.3

⑦ **Voltage code**
C = 12v DC
D = 24v DC
M = 110v 50/60Hz AC
N = 120v 60Hz AC
Q = 240v 60Hz AC
S = 220/230v 50/60Hz AC
Y = 28v DC (solenoid type T only)
other voltages to special order

BRASS**1/2" NPT
3/2, 5/2 SPOOL VALVES****Pilot solenoid operated****316
STAINLESS STEEL****Solenoid model codes**

Model code	Safety rating	Protection and housing material	Approved for area	Ingress protection	Mass kg (lbs)
B BL	NEMA 7 & 9	Flameproof. Chromate Steel.	Class I, Groups C & D Class II, Groups E, F & G	NEMA 4	0.29 (0.65)
C CL	NEMA 7 & 9	Flameproof. Stainless Steel.	Class I, Groups C & D Class II, Groups E, F & G	NEMA 4	0.29 (0.65)
K	EExd IIC T6	Flameproof. 316 Stainless steel or Aluminium.	Zones 1 and 2	IP67	1.62 (3.57)
P	EEx me II T4/T5	Increased encapsulation. Glass reinforced polyamid.	Zones 1 and 2	IP66	0.63 (1.39)
T	EEx ia IIC T6	Intrinsically safe. Glass reinforced polyamid.	Zone 0	IP66	0.53 (1.17)
M	None	Mini solenoid. Moulded plastic.	Not approved	IP65	0.085 (0.19)

The model code shown appears in the 13th position of the Model Number.

Alternative:- Mini onshore specification hazardous area solenoids available - contact Customer Services.**Preferred models - 3/2 pilot solenoid operated**

Model No	Description	Mass kg (lbs)	Symbol
4326M23-VS2B * +	1/2"NPT 3/2 Pilot solenoid operated, spring return	1.50 (3.31) + Sol	
4326M232VS2B * +	1/2"NPT 3/2 Pilot solenoid operated, spring return with latch lock, manual reset	2.10 (4.63) + Sol	
4326M238VS2B * +	1/2"NPT 3/2 Pilot solenoid operated, spring return with reverse latch lock, manual reset	2.10 (4.63) + Sol	
4326M2E-VS2B * +	1/2"NPT 3/2 Pilot solenoid operated, spring return	1.50 (3.31) + Sol	
4326M2E2VS2B * +	1/2"NPT 3/2 Pilot solenoid operated, spring return with latch lock, manual reset	2.10 (4.63) + Sol	
4326M2E8VS2B * +	1/2"NPT 3/2 Pilot solenoid operated, spring return with reverse latch lock, manual reset	2.10 (4.63) + Sol	
4326B13-VS2B * +	1/2"NPT 3/2 Pilot solenoid operated, pilot air return	1.60 (3.53) + Sol	
4326B33-VS2B * +	1/2"NPT 3/2 Double pilot solenoid operated	1.70 (3.75) + Sol	
4326BEE-VS2B * +	1/2"NPT 3/2 Double pilot solenoid operated	1.70 (3.75) + Sol	

Preferred models - 5/2 pilot solenoid operated

Model No	Description	Mass kg (lbs)	Symbol
4526M23-VS2B * +	1/2"NPT 5/2 Pilot solenoid operated, spring return	2.10 (4.63) + Sol	
4526M232VS2B * +	1/2"NPT 5/2 Pilot solenoid operated, spring return with latch lock, manual reset	2.70 (5.95) + Sol	
4526M238VS2B * +	1/2"NPT 5/2 Pilot solenoid operated, spring return with reverse latch lock, manual reset	2.70 (5.95) + Sol	
4526M2E-VS2B * +	1/2"NPT 5/2 Pilot solenoid operated, spring return	2.10 (4.63) + Sol	
4526M2E2VS2B * +	1/2"NPT 5/2 Pilot solenoid operated, spring return with latch lock, manual reset	2.70 (5.95) + Sol	
4526M2E8VS2B * +	1/2"NPT 5/2 Pilot solenoid operated, spring return with reverse latch lock, manual reset	2.70 (5.95) + Sol	
4526B13-VS2B * +	1/2"NPT 5/2 Pilot solenoid operated, pilot air return	2.20 (4.85) + Sol	
4526B33-VS2B * +	1/2"NPT 5/2 Double pilot solenoid operated	2.30 (5.07) + Sol	
4526BEE-VS2B * +	1/2"NPT 5/2 Double pilot solenoid operated	2.30 (5.07) + Sol	

* Specify solenoid type, + Specify solenoid voltage.

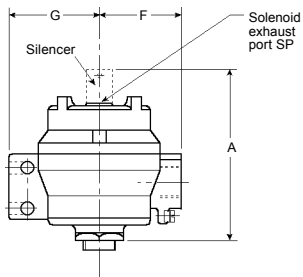
Without solenoid fitted specify 'Z' in position 4 (for Zones 0, 1 & 2)

Without solenoid fitted specify 'A' in position 4 (for NEMA 7 & 9)

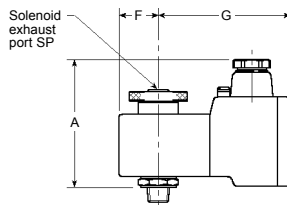
For above preferred models in BRASS specify 'R' in position 9 (in place of 'V')

Solenoid assemblies

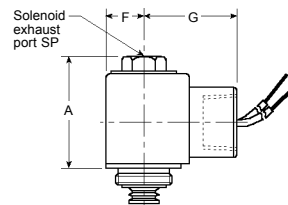
Solenoid code K



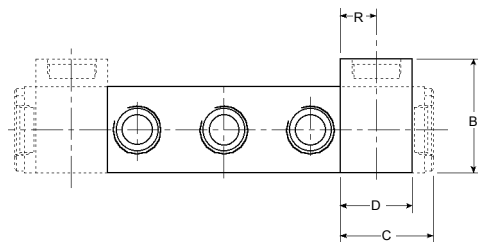
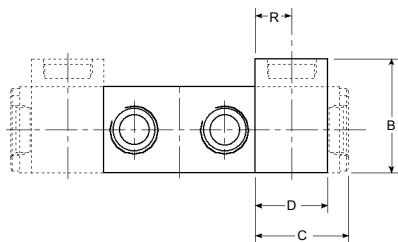
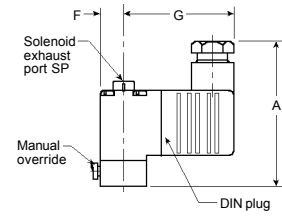
Solenoid code P Solenoid code T



Solenoid code B & BL Solenoid code C & CL



Solenoid code M



3/2 valve base. For basic valve dimensions see page 1600.5

5/2 valve base. For basic valve dimensions see page 1600.5

Installation dimensions mm (inches)

Model code	A	B	C	D	F	G	R	SP
B & BL	42 (1.65)	50 (1.97)	41 (1.61)	32 (1.26)	18.5 (0.73)	39.5 (1.56)	16 (0.63)	1/8"NPT
C & CL	42 (1.65)	50 (1.97)	41 (1.61)	32 (1.26)	18.5 (0.73)	39.5 (1.56)	16 (0.63)	1/8"NPT
K	110 (4.33)	50 (1.97)	41 (1.61)	32 (1.26)	52 (2.05)	58 (2.28)	16 (0.63)	M8
P & T	71.5 (2.81)	50 (1.97)	41 (1.61)	32 (1.26)	25 (0.98)	81 (3.19)	16 (0.63)	1/8"NPT
M	62 (2.44)	46 (1.81)	37 (1.46)	32 (1.26)	11 (0.43)	50 (1.97)	11 (0.43)	M5

Solenoid specifications

Model code	K	P	T	B	BL	C	CL	M
Type of protection	EExd IIC T6	EEx me II T4/T5	EEx ia IIC T6	NEMA 7 & 9			None	
Approved area	Zones 1 and 2	Zones 1 and 2	Zone 0	Class I, Groups C & D Class II, Groups E, F & G			None	
Degree of protection	IP67	IP66	IP66	NEMA 4 (IP55)			IP65	
Housing	316 Stainless Steel alt Aluminium, Epoxy coated	Glass reinforced Polyamid (St St conduit hub)	Glass reinforced Polyamid	Chromate Steel	Stainless Steel	Coil potted		Moulded plastic
Cable entry (Alt cable entry available)	M20 x 1.5	M20 x 1.5	M20 x 1.5	1/2" NPT 24" leads			DIN plug	
Power consumption	DC 5W	6W	0.3W	7.3W 5.6W	1.8W 1.8W	7.3W 5.6W	1.8W 1.8W	4W 4W(holding)
Maximum admissible surface temp	85°C (185°F)	T4 135°C (275°F) T5 100°C (212°F)	85°C (185°F)	160°C			N/A	
Maximum ambient temperature	40°C (104°F)	T4 75°C (167°F) T5 40°C (104°F)	65°C (149°F)	40°C			55°C (131°F)	
Maximum fluid temp	80°C (176°F)	75°C (167°F)	75°C (167°F)	105°C			90°C (194°F)	
Approved standard	EN50014 (CENELEC) EN50018	EN50014 (CENELEC) EN50019	EN50014 (CENELEC) EN50020	UL Listed CSA Certified			N/A N/A	
Certificate number	95D 115701	LCIE 92.C6036X	PTB Ex-96.D.2162	026894X0000			N/A	

For BRASS construction valves - Aluminium, epoxy coated, EExd housing will be fitted as standard.

BRASS

1/2" NPT 3/2, 5/2 SPOOL VALVES Pilot solenoid operated

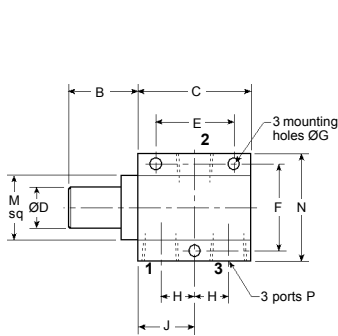
316

STAINLESS STEEL

Installation dimensions mm (inches)

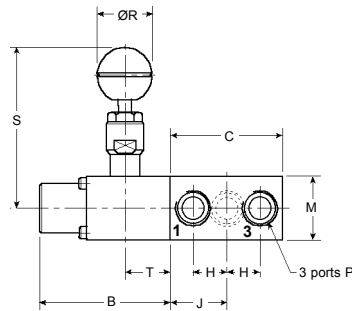
3/2 Pilot solenoid operated - valve bases.

Spring return
4326M2*-VS2B**



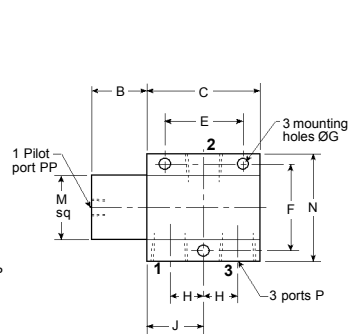
Body thickness = 'M'

Spring return with latch lock
4326M23*VS2B**, 4326M2E*VS2B**



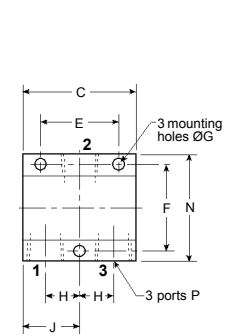
Dimensions 'E', 'F', 'G' and 'N' as for spring base

Pilot air return
4326B1*-VS2B**



Body thickness = 'M'

Pilot solenoid return
4326B**-VS2B**

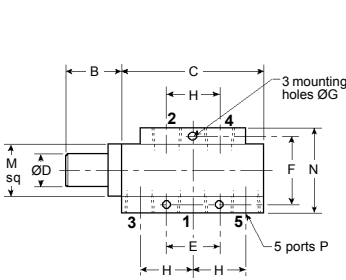


Body thickness = 'M'

Model No	B	C	D	E	F	G	H	J	M	N	P	PP	R	S	T
4326M2*-VS2B**	40 (1.57)	65 (2.56)	24 (0.94)	45 (1.77)	50 (1.97)	6.5 (0.26)	19.5 (0.77)	32.5 (1.28)	38 (1.50)	62 (2.44)	1/2" NPT 1/2" NPT	- -	- -	- -	- -
4326M23*VS2B**	75 (2.95)	65 (2.56)	-	45 (1.77)	50 (1.97)	6.5 (0.26)	19.5 (0.77)	32.5 (1.28)	38 (1.50)	62 (2.44)	1/2" NPT 1/2" NPT	- -	32 (1.26)	93 (3.66)	26 (1.02)
4326M2E*VS2B**	75 (2.95)	65 (2.56)	-	45 (1.77)	50 (1.97)	6.5 (0.26)	19.5 (0.77)	32.5 (1.28)	38 (1.50)	62 (2.44)	1/2" NPT 1/2" NPT	- -	32 (1.26)	93 (3.66)	26 (1.02)
4326B1*-VS2B**	32 (1.26)	65 (2.56)	-	45 (1.77)	50 (1.97)	6.5 (0.26)	19.5 (0.77)	32.5 (1.28)	38 (1.50)	62 (2.44)	1/2" NPT 1/2" NPT	1/8" NPT 1/8" NPT	- -	- -	- -
4326B**-VS2B**	-	65 (2.56)	-	45 (1.77)	50 (1.97)	6.5 (0.26)	19.5 (0.77)	32.5 (1.28)	38 (1.50)	62 (2.44)	1/2"NPT 1/2"NPT	- -	- -	- -	- -

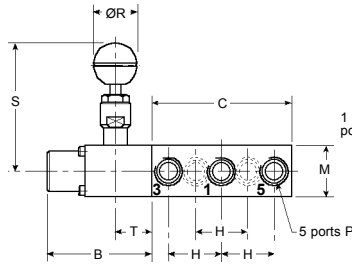
5/2 Pilot solenoid operated - valve bases.

Spring return
4526M2*-VS2B**



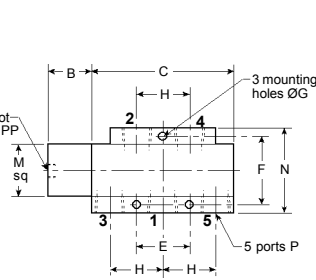
Body thickness = 'M'

Spring return with latch lock
4526M23*VS2B**, 4526M2E*VS2B**



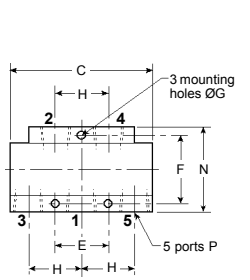
Dimensions 'E', 'F', 'G' and 'N' as for spring base

Pilot air return
4526B1*-VS2B**



Body thickness = 'M'

Pilot solenoid return
4526B**-VS2B**



Body thickness = 'M'

Model No	B	C	D	E	F	G	H	M	N	P	PP	R	S	T
4526M2*-VS2B**	40 (1.57)	103 (4.06)	24 (0.94)	38 (1.50)	50 (1.97)	6.5 (0.26)	38.5 (1.52)	38 (1.50)	62 (2.44)	1/2" NPT 1/2" NPT	- -	- -	- -	- -
4526M23*VS2B**	75 (2.95)	103 (4.06)	-	38 (1.50)	50 (1.97)	6.5 (0.26)	38.5 (1.52)	38 (1.50)	62 (2.44)	1/2"NPT 1/2"NPT	- -	32 (1.26)	93 (3.66)	26 (1.02)
4526M2E*VS2B**	75 (2.95)	103 (4.06)	-	38 (1.50)	50 (1.97)	6.5 (0.26)	38.5 (1.52)	38 (1.50)	62 (2.44)	1/2"NPT 1/2"NPT	- -	32 (1.26)	93 (3.66)	26 (1.02)
4526B1*-VS2B**	32 (1.26)	103 (4.06)	-	38 (1.50)	50 (1.97)	6.5 (0.26)	38.5 (1.52)	38 (1.50)	62 (2.44)	1/2" NPT 1/2" NPT	1/8" NPT 1/8" NPT	- -	- -	- -
4526B**-VS2B**	-	103 (4.06)	-	38 (1.50)	50 (1.97)	6.5 (0.26)	38.5 (1.52)	38 (1.50)	62 (2.44)	1/2"NPT 1/2"NPT	- -	- -	- -	- -

General description and benefits

A range of compact 3/2 and 5/2 pilot operated spool valves in stainless steel or brass for use on gases and liquids.

- Compact.
- 3/2 and 5/2 versions.
- Non lube.
- Meet NACE standard.
- Stainless steel internals.



Operating fluids

Gases

Filtered lubricated or non-lubricated air, inert gas, sweet (natural) gases.
Sour gas option available (details on application)

Liquids

Low pressure hydraulic, mineral oil or water.

Technical data

Ports

1/2"NPT (BSP option available)
1/8"NPT pilot ports

Cv (Kv)

3/2 valves 3.5 (53)
5/2 valves 3.5 (53)

Working pressure (gases & liquids)

12 bar (174 psi)

Working temperature

-20°C to +180°C (-4°F to +356°F)

Minimum pilot pressure

at 6.3 bar (90 psi) body pressure

	3/2	5/2
Spring return	3bar (45psi)	3bar (45psi)
Pilot return	2bar (30psi)	2bar (30psi)

Maximum flow

at 6 bar (87 psi), 1 bar (14.5 psi) differential

3/2 valves - 3500 L/min (123 SCFM)
5/2 valves - 3500 L/min (123 SCFM)

Materials of construction

Body

Stainless steel AISI 316L
to NACE MR-01-75
Brass CZ 121M

Spool

Stainless steel AISI 316L
to NACE MR-01-75

Spring

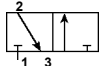
316 Stainless steel

Seals

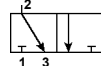
Fluoroelastomer

Functional symbols

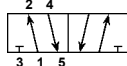
3/2 Normally Closed



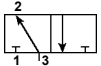
3/2 Diverter



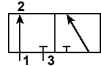
5/2



3/2 Normally Open



3/2 Changeover



Preferred models

Model No	Description	Mass kg (lbs)	Symbol
4326M21-VS2B	1/2"NPT 3/2 Pilot operated, spring return	1.40 (3.09)	
4326M212VS2B	1/2"NPT 3/2 Pilot operated, spring return with latch lock, manual reset	2.00 (4.41)	
4326M218VS2B	1/2"NPT 3/2 Pilot operated, spring return with reverse latch lock, manual reset	2.00 (4.41)	
4326B11-VS2B	1/2"NPT 3/2 Pilot operated, pilot return	1.50 (3.31)	
4526M21-VS2B	1/2"NPT 5/2 Pilot operated, spring return	2.00 (4.41)	
4526M212VS2B	1/2"NPT 5/2 Pilot operated, spring return with latch lock, manual reset	2.60 (5.73)	
4526M218VS2B	1/2"NPT 5/2 Pilot operated, spring return with reverse latch lock, manual reset	2.60 (5.73)	
4526B11-VS2B	1/2"NPT 5/2 Pilot operated, pilot return	2.10 (4.63)	

For above preferred models in BRASS specify 'R' in position 9 (in place of 'V')

BRASS

1/2" NPT 3/2, 5/2 SPOOL VALVES

Pilot operated

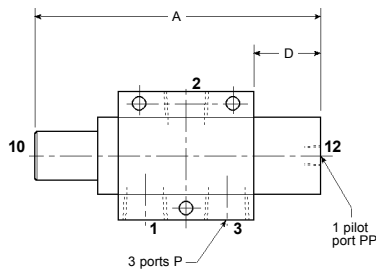
316

STAINLESS STEEL

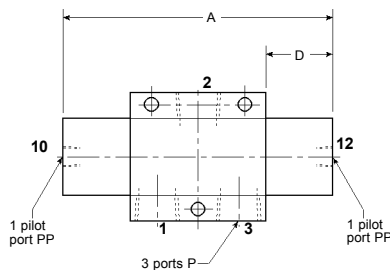
Installation dimensions mm (inches)

3/2 Pilot operated, spring or pilot return.

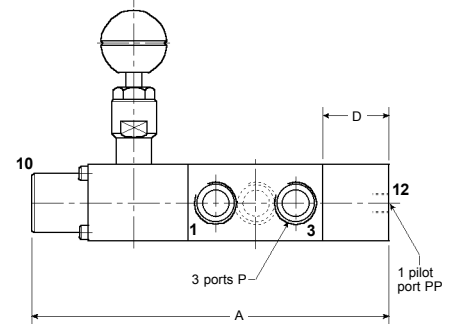
Pilot operated, spring return
4326M21-VS2B



Pilot operated, pilot return
4326B11-VS2B



Pilot operated, spring return with latch lock
4326M212VS2B, 4326M218VS2B



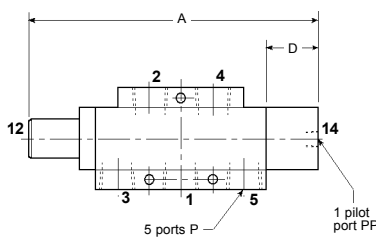
For basic valve dimensions see 3/2 spring return or 3/2 pilot return bases on page 1600.5

Model No	A	D	P	PP
4326M21-VS2B	137 (5.39)	32 (1.26)	1/2"NPT 1/2"NPT	1/8"NPT 1/8"NPT
4326B11-VS2B	129 (5.08)	32 (1.26)	1/2"NPT 1/2"NPT	1/8"NPT 1/8"NPT
4326M212VS2B & 4326M218VS2B	172 (6.77)	32 (1.26)	1/2"NPT 1/2"NPT	1/8"NPT 1/8"NPT

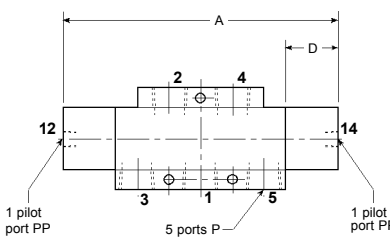
For above models in BRASS specify 'R' in position 9 (in place of 'V')

5/2 Pilot operated, spring or pilot return.

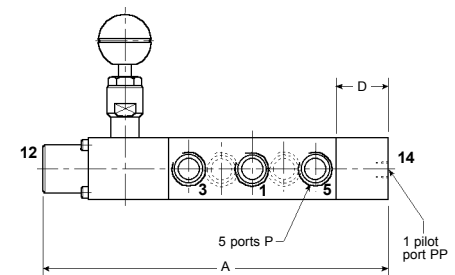
Pilot operated, spring return
4526M21-VS2B



Pilot operated, pilot return
4526B11-VS2B



Pilot operated, spring return with latch lock
4526M212VS2B, 4526M218VS2B



For basic valve dimensions see 5/2 spring return or 5/2 pilot return bases on page 1600.5

Model No	A	D	P	PP
4526M21-VS2B	175 (6.89)	32 (1.26)	1/2"NPT 1/2"NPT	1/8"NPT 1/8"NPT
4526B11-VS2B	167 (6.57)	32 (1.26)	1/2"NPT 1/2"NPT	1/8"NPT 1/8"NPT
4526M212VS2B & 4526M218VS2B	210 (8.27)	32 (1.26)	1/2"NPT 1/2"NPT	1/8"NPT 1/8"NPT

For above models in BRASS specify 'R' in position 9 (in place of 'V')

General description and benefits

A range of compact 3/2 and 5/2 manually operated spool valves in stainless steel or brass for use on gases and liquids.

- Closed centre.
- Compact.
- Meets NACE standard.



Operating fluids

Gases

Filtered lubricated or non-lubricated air, inert gas, sweet (natural) gases.
Sour gas option available (details on application)

Liquids

Low pressure hydraulic, mineral oil or water.

Technical data

Ports

1/2"NPT (BSP option available)
1/8"NPT pilot ports

Cv (Kv)

3/2 valves 3.5 (53)
5/2 valves 3.5 (53)

Working pressure (gases & liquids)
12 bar (174 psi)

Working temperature
-20°C to +180°C (-4°F to +356°F)

Operating force

at 10 bar (145 psi) body pressure

3/2 valves 112N (25 lbf)
5/2 valves 112N (25 lbf)

Maximum flow

at 6 bar (87 psi), 1 bar (14.5 psi) differential

3/2 valves - 3500 L/min (123 SCFM)
5/2 valves - 3500 L/min (123 SCFM)

Materials of construction

Body

Stainless steel AISI 316L
to NACE MR-01-75
Brass CZ 121M

Spool

Stainless steel AISI 316L
to NACE MR-01-75

Spring

316 Stainless steel

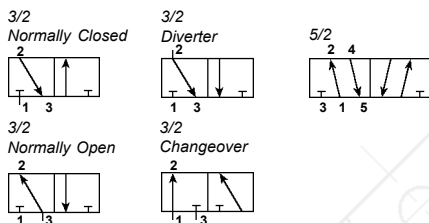
Seals

Fluoroelastomer

Pad

Phenolic resin

Functional symbols



Preferred models

Model No	Description	Mass kg (lbs)	Symbol
4326M27-VS2B	1/2"NPT 3/2 Pad operated, spring return	1.35 (2.98)	
4326B77-VS2B	1/2"NPT 3/2 Pad operated, push - pull	1.30 (2.87)	
4326B773VS2B	1/2"NPT 3/2 Pad operated, push-pull with detent	1.40 (3.09)	
4326B17-VS2B	1/2"NPT 3/2 Pad operated, pilot air return	1.50 (3.31)	
4526M27-VS2B	1/2"NPT 5/2 Pad operated, spring return	1.95 (4.30)	
4526B77-VS2B	1/2"NPT 5/2 Pad operated, push-pull	1.90 (4.19)	
4526B773VS2B	1/2"NPT 5/2 Pad operated, push-pull with detent	2.00 (4.41)	
4526B17-VS2B	1/2"NPT 5/2 Pad operated, pilot air return	2.10 (4.63)	

For above preferred models in BRASS specify 'R' in position 9 (in place of 'V')

BRASS

1/2" NPT 3/2, 5/2 SPOOL VALVES Manually operated (Pad)

316

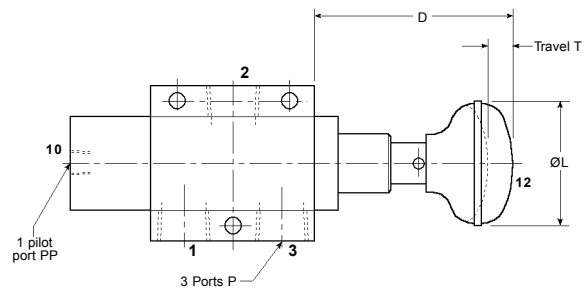
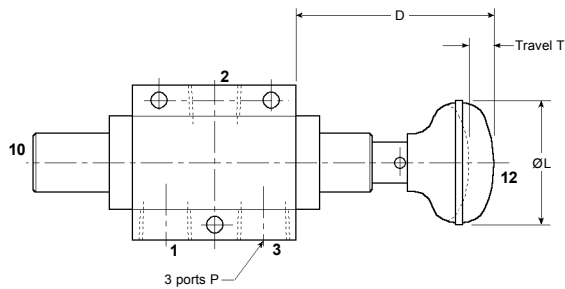
STAINLESS STEEL

Installation dimensions mm (inches)

3/2 Pad operated spring return, Pad operated (Push-Pull), Pad operated pilot air return.

Pad operated, spring return
4326M27-VS2B

Pad operated (Push-Pull) 4326B77-VS2B
Pad operated (Push-Pull) with detent 4326B773VS2B
Pad operated, pilot air return 4326B17-VS2B



For basic valve dimensions see 3/2 spring return bases on page 1600.5

For basic valve dimensions see 3/2 pilot air return bases on page 1600.5

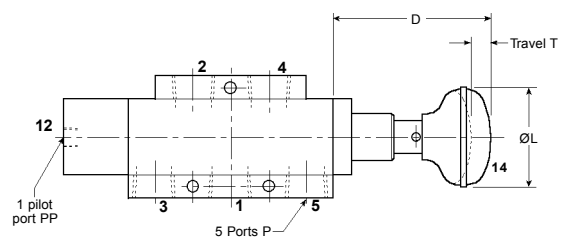
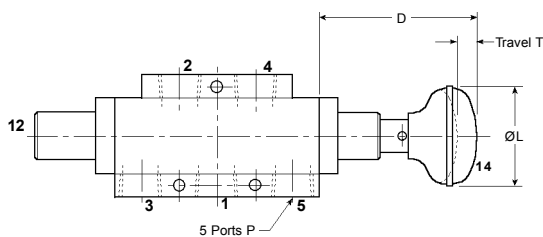
Model No	D	L	P	PP	T
4326M27-VS2B	78 (3.07)	51 (2.00)	1/2"NPT 1/2"NPT	- -	9.5 (0.37)
4326B77-VS2B	78 (3.07)	51 (2.00)	1/2"NPT 1/2"NPT	1/8"NPT 1/8"NPT	9.5 (0.37)
4326B773VS2B	78 (3.07)	51 (2.00)	1/2"NPT 1/2"NPT	1/8"NPT 1/8"NPT	9.5 (0.37)
4326B17-VS2B	78 (3.07)	51 (2.00)	1/2"NPT 1/2"NPT	1/8"NPT 1/8"NPT	9.5 (0.37)

For above models in BRASS specify 'R' in position 9 (in place of 'V')

5/2 Pad operated spring return, Pad operated (Push-Pull), Pad operated pilot air return.

Pad operated, spring return
4526M27-VS2B

Pad operated (Push-Pull) 4526B77-VS2B
Pad operated (Push-Pull) with detent 4526B773VS2B
Pad operated, pilot air return 4526B17-VS2B



For basic valve dimensions see 3/2 spring return bases on page 1600.5

For basic valve dimensions see 3/2 pilot air return bases on page 1600.5

Model No	D	L	P	PP	T
4526M27-VS2B	78 (3.07)	51 (2.00)	1/2"NPT 1/2"NPT	- -	9.5 (0.37)
4526B77-VS2B	78 (3.07)	51 (2.00)	1/2"NPT 1/2"NPT	1/8"NPT 1/8"NPT	9.5 (0.37)
4526B773VS2B	78 (3.07)	51 (2.00)	1/2"NPT 1/2"NPT	1/8"NPT 1/8"NPT	9.5 (0.37)
4526B17-VS2B	78 (3.07)	51 (2.00)	1/2"NPT 1/2"NPT	1/8"NPT 1/8"NPT	9.5 (0.37)

For above models in BRASS specify 'R' in position 9 (in place of 'V')

316
STAINLESS STEEL

1/2" NPT 3/2, 5/2 SPOOL VALVES

BRASS

Manually operated (Lever), Manually operated (Key)

General description and benefits

A range of compact 3/2 and 5/2 manually operated spool valves in stainless steel or brass for use on gases and liquids.

- Closed centre.
- Compact.
- Unique key.

Operating fluids

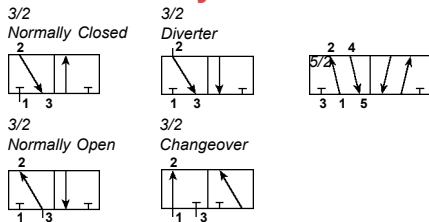
Gases

Filtered lubricated or non-lubricated air, inert gas, sweet (natural) gases.
Sour gas option available (details on application)

Liquids

Low pressure hydraulic, mineral oil or water.

Functional symbols



Technical data

Ports

1/2"NPT (BSP option available)
1/8"NPT vent port

Cv (Kv)

3/2 valves 3.5 (53)
5/2 valves 3.5 (53)

Working pressure (gases & liquids)

12 bar (174 psi)

Working temperature

-20°C to +180°C (-4°F to +356°F)

Operating force

at 10 bar (145 psi) body pressure

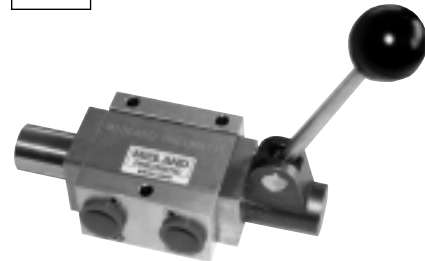
Lever operated

3/2 valves 61N (13.7 lbf)
5/2 valves 61N (13.7 lbf)

Maximum flow

at 6 bar (87 psi), 1 bar (14.5 psi) differential

3/2 valves - 3500 L/min (123 SCFM)
5/2 valves - 3500 L/min (123 SCFM)



Materials of construction

Body

Stainless steel AISI 316L
to NACE MR-01-75
Brass CZ121M

Spool

Stainless steel AISI 316L
to NACE MR-01-75

Spring

316 Stainless steel

Seals

Fluoroelastomer

Preferred models

Model No	Description	Mass kg (lbs)	Symbol
4326M25-VS2B	1/2"NPT 3/2 Lever operated, spring return	1.40 (3.09)	
4326B553VS2B	1/2"NPT 3/2 Lever operated with detent	1.50 (3.31)	
4326BJJ-VS2B	1/2"NPT 3/2 Key operated (positive). Key removable in unoperated position	1.75 (3.86)	
4326M2J-VS2B	1/2"NPT 3/2 Key operated (spring return). Key removable in unoperated position	1.75 (3.86)	
4326BJJKVS2B	1/2"NPT 3/2 Key operated (positive). Key removable in both positions	1.75 (3.86)	
4526M25-VS2B	1/2"NPT 5/2 Lever operated, spring return	2.00 (4.41)	
4526B553VS2B	1/2"NPT 5/2 Lever operated with detent	2.10 (4.63)	
4526BJJ-VS2B	1/2"NPT 5/2 Key operated (positive). Key removable in unoperated position	2.35 (5.18)	
4526M2J-VS2B	1/2"NPT 5/2 Key operated (spring return). Key removable in unoperated position	2.35 (5.18)	
4526BJJKVS2B	1/2"NPT 5/2 Key operated (positive). Key removable in both positions	2.35 (5.18)	

For above preferred models in BRASS specify 'R' in position 9 (in place of 'V')

MIDLAND
PNEUMATIC

BRASS

1/2" NPT 3/2, 5/2 SPOOL VALVES Manually operated (Lever)

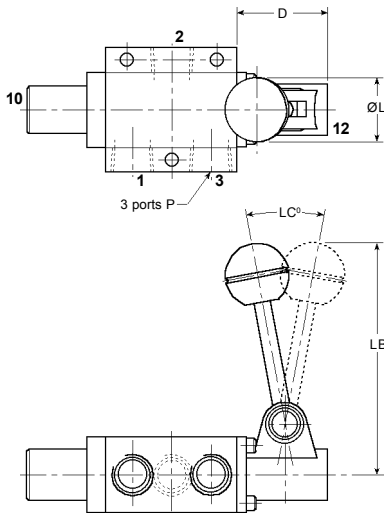
316

STAINLESS STEEL

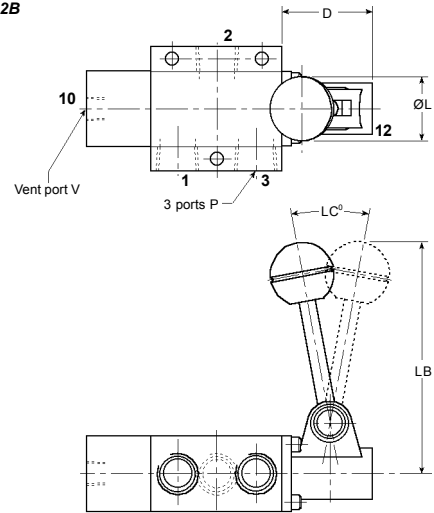
Installation dimensions mm (inches)

3/2 Lever operated spring return, Lever operated with detent.

Lever operated, spring return
4326M25-VS2B



Lever operated with detent
4326B553VS2B



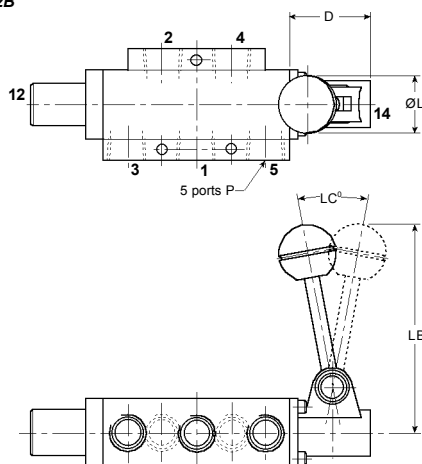
For basic valve dimensions see 3/2 spring return and pilot air return bases on page 1600.5

Model No	D	L	LB	LC	P	V
4326M25-VS2B	46 (1.81)	32 (1.26)	117 (4.61)	21° 21°	1/2"NPT 1/2"NPT	- -
4326B553VS2B	46 (1.81)	32 (1.26)	117 (4.61)	21° 21°	1/2"NPT 1/2"NPT	1/8"NPT 1/8"NPT

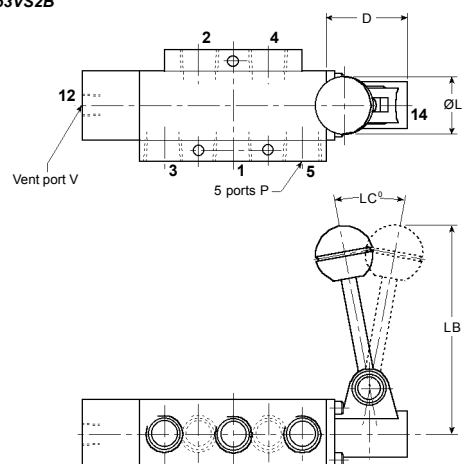
For above models in BRASS specify 'R' in position 9 (in place of 'V')

5/2 Lever operated spring return, Lever operated with detent.

Lever operated, spring return
4526M25-VS2B



Lever operated with detent
4526B553VS2B



For basic valve dimensions see 5/2 spring return bases on page 1600.5

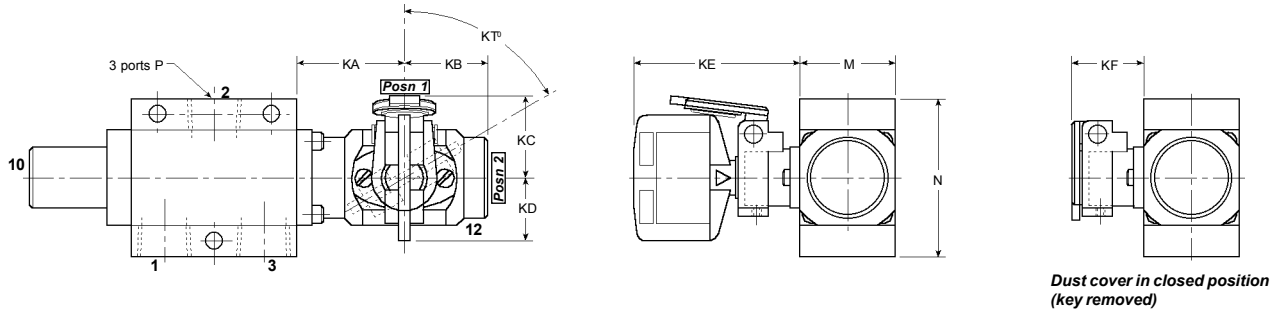
Model No	D	L	LB	LC	P	V
4526M25-VS2B	46 (1.81)	32 (1.26)	117 (4.61)	21° 21°	1/2"NPT 1/2"NPT	- -
4526B553VS2B	46 (1.81)	32 (1.26)	117 (4.61)	21° 21°	1/2"NPT 1/2"NPT	1/8"NPT 1/8"NPT

For above models in BRASS specify 'R' in position 9 (in place of 'V')

Installation dimensions mm (inches)

3/2 Key operated.

Key operated, positive (Key retained in operated position) 4326BJJ-VS2B. Key operated, spring return (Key retained in operated position) 4326M2J-VS2B.
Key operated, positive (Key removable in both positions) 4326BJJKVS2B

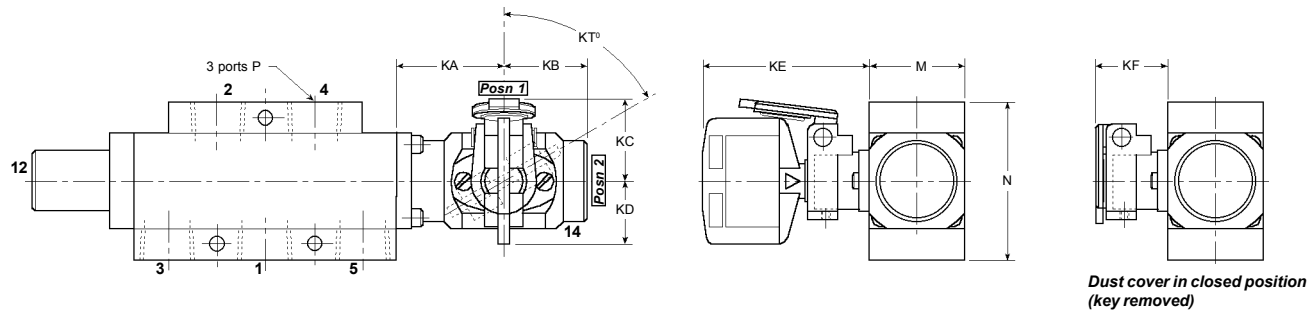


For basic valve dimensions see 3/2 spring return bases on page 1600.5

Model No	P	M	N	KA	KB	KC	KD	KE	KF	KT
4326BJJ-VS2B	1/2"NPT	38	62	43	33	31	25	66	29	90°
	1/2"NPT	(1.50)	(2.44)	(1.69)	(1.30)	(1.22)	(0.98)	(2.60)	(1.14)	90°
4326M2J-VS2B	1/2"NPT	38	62	43	33	31	25	66	29	60°
	1/2"NPT	(1.50)	(2.44)	(1.69)	(1.30)	(1.22)	(0.98)	(2.60)	(1.14)	60°
4326BJJKVS2B	1/2"NPT	38	62	43	33	31	25	66	29	90°
	1/2"NPT	(1.50)	(2.44)	(1.69)	(1.30)	(1.22)	(0.98)	(2.60)	(1.14)	90°

5/2 Key operated.

Key operated, positive (Key retained in operated position) 4526BJJ-VS2B. Key operated, spring return (Key retained in operated position) 4526M2J-VS2B.
Key operated, positive (Key removable in both positions) 4526BJJKVS2B



For basic valve dimensions see 5/2 spring return bases on page 1600.5

Model No	P	M	N	KA	KB	KC	KD	KE	KF	KT
4526BJJ-VS2B	1/2"NPT	38	62	43	33	31	25	66	29	90°
	1/2"NPT	(1.50)	(2.44)	(1.69)	(1.30)	(1.22)	(0.98)	(2.60)	(1.14)	90°
4526M2J-VS2B	1/2"NPT	38	62	43	33	31	25	66	29	60°
	1/2"NPT	(1.50)	(2.44)	(1.69)	(1.30)	(1.22)	(0.98)	(2.60)	(1.14)	60°
4526BJJKVS2B	1/2"NPT	38	62	43	33	31	25	66	29	90°
	1/2"NPT	(1.50)	(2.44)	(1.69)	(1.30)	(1.22)	(0.98)	(2.60)	(1.14)	90°

For above models in BRASS specify 'R' in position 9 (in place of 'V')

- Note Key operator Stainless Steel

Presented By:



Patrick Gregory Road, Wednesfield, Wolverhampton WV11 3DZ England
Tel: +44 (0) 1902 305678 Fax: +44 (0) 1902 305676
E mail: sales@imc-uk.com Web site: http://www.midland-pneu.com

4950 Marlin Drive, Rockford, IL 61130 U.S.A.
Tel: +1-815-654-9050 Fax: +1-815-654-5298
E mail: midlandusa@imcfcpg.com Web site: http://www.midland-pneu.com

