

piINLINE™ MINI



piINLINE™ Patent Pending

- ▶ Patented COAX® cartridge technology.
- ▶ High vacuum flow capacity in relation to energy consumption.
- ▶ Low weight inline design with push-in fittings for vacuum and compressed air.
- ▶ Quick and easy installation directly on the hose.
- ▶ Si cartridge for extra vacuum flow.
- ▶ Pi cartridge for high performance at low feed pressures.
- ▶ Xi cartridge when high flow and deep vacuum is needed.

TECHNICAL DATA

Description	Unit	Value
Feed pressure, max.	psi	101.5
Material		PA, NBR, SS, CuZn
Temperature range	°F	14-176

TECHNICAL DATA, SPECIFIC

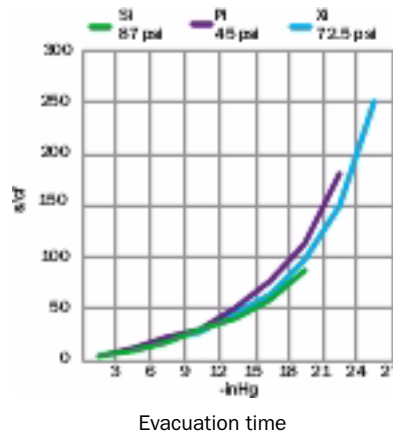
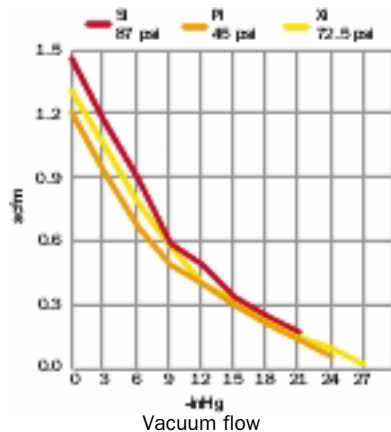
Description	Unit	Value					
		Si6-6	Pi6-6	Xi6-6	Si8-8	Pi8-8	Xi8-8
Noise level, min-max	dBa	68-84	69-85	81-85	68-84	69-85	81-85
Weight	oz	1.15	1.15	1.15	0.77	0.77	0.77
Connection, vacuum	mm	6	6	6	8	8	8
Connection, compressed air	mm	6	6	6	8	8	8

VACUUM FLOW

COAX® Cartridge	Feed pressure psi	Air consumption scfm	Vacuum flow (scfm) at different vacuum levels (-inHg)										Max vacuum -inHg
			0	3	6	9	12	15	18	21	24	27	
Si	87	0.93	1.46	1.17	0.89	0.59	0.49	0.34	0.25	0.17	—	—	22.2
Pi	45	0.93	1.21	0.93	0.66	0.49	0.40	0.30	0.21	0.13	0.06	—	27.0
Xi	72.5	0.97	1.31	1.06	0.78	0.57	0.40	0.32	0.23	0.15	0.10	0.02	27.8

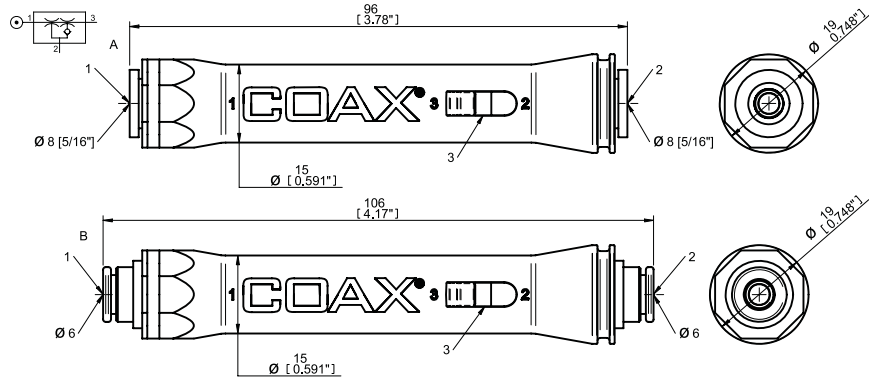
EVACUATION TIME

COAX® Cartridge	Feed pressure psi	Air consumption scfm	Evacuation time (s/cf) to reach different vacuum levels (-inHg)								Max vacuum -inHg	
			3	6	9	12	15	18	21	24		
Si	87	0.93	4.53	10.5	18.7	31.2	39.7	59.5	87.8	—	—	22.2
Pi	45	0.93	5.67	13.0	23.5	31.2	51.0	76.5	113	181	—	27.0
Xi	72.5	0.97	5.10	11.6	20.4	28.3	45.3	65.2	99.2	150	252	27.8



ORDERING INFORMATION

	Description	Part No.	NACW
B	piiINLINE™ vacuum generator MINI Si, 6-6 mm	01.22.025	v
B	piiINLINE™ vacuum generator MINI Pi, 6-6 mm	01.22.894	v
B	piiINLINE™ vacuum generator MINI Xi, 6-6 mm	01.22.895	v
A	piiINLINE™ vacuum generator MINI Si, 8-8 mm	01.22.896	v
A	piiINLINE™ vacuum generator MINI Pi, 8-8 mm	01.22.897	v
A	piiINLINE™ vacuum generator MINI Xi, 8-8 mm	01.22.898	v



ORDERING INFORMATION, ACCESSORIES

Description	Part No.	NACW
Snap-in piiINLINE™ 4x MINI mounting bracket	01.23.094	v

v = Readily available in North American Central Warehouse (NACW) .