

piINLINE™ MIDI



piINLINE™ Patent Pending

- ▶ Patented COAX® cartridge technology.
- ▶ High vacuum flow capacity in relation to energy consumption.
- ▶ Low weight inline design with push-in fittings for vacuum and compressed air.
- ▶ Quick and easy installation directly on the hose.
- ▶ Si cartridge for extra vacuum flow.
- ▶ Pi cartridge for high performance at low feed pressures
- ▶ Xi cartridge when high flow and deep vacuum is needed.

TECHNICAL DATA

Description	Unit	Value
Feed pressure, max.	psi	101.5
Material		PA, NBR, SS, CuZn
Temperature range	°F	14-176

TECHNICAL DATA, SPECIFIC

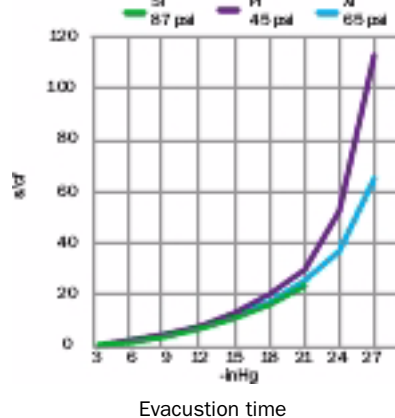
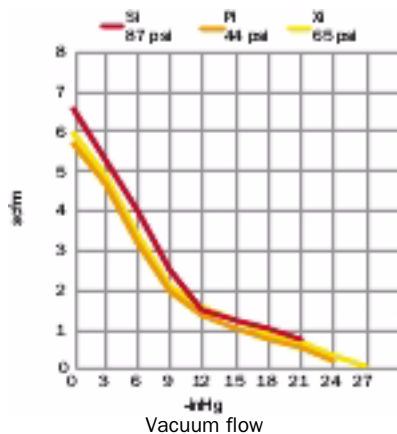
Description	Unit	Value		
		Si8-12	Pi8-12	Xi8-12
Noise level, min-max	dBA	90-98	90-98	93-99
Weight	oz	3.07	3.07	3.07
Connection, vacuum	mm	8	8	8
Connection, compressed air	mm	12	12	12

VACUUM FLOW

COAX® Cartridge	Feed pressure psi	Air consumption scfm	Vacuum flow (scfm) at different vacuum levels (-inHg)										Max vacuum -inHg
			0	3	6	9	12	15	18	21	24	27	
Si	87	3.71	6.57	5.30	4.03	2.54	1.48	1.27	1.06	0.74	—	—	22.2
Pi	44	4.24	5.72	4.66	3.18	1.97	1.38	1.06	0.74	0.53	0.21	—	27.0
Xi	65	3.88	5.93	4.87	3.39	2.12	1.55	1.23	0.91	0.68	0.38	0.06	28.1

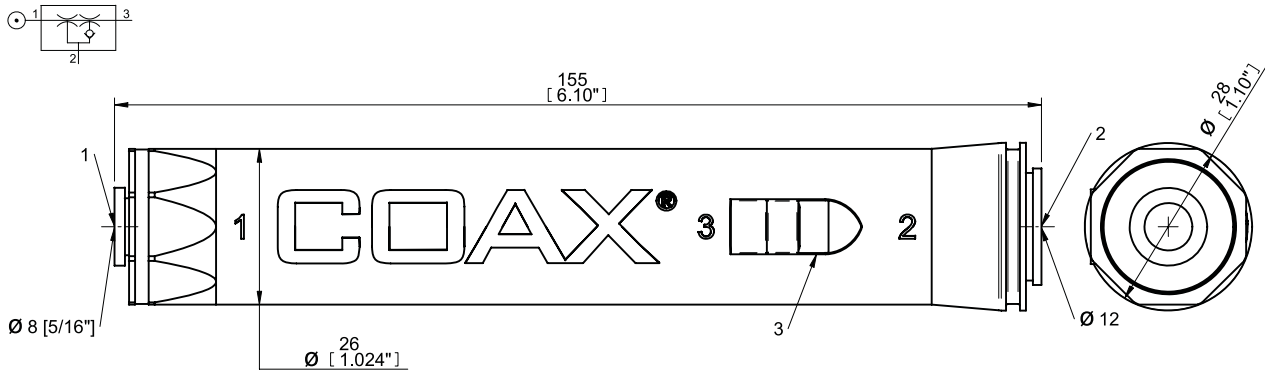
EVACUATION TIME

COAX® Cartridge	Feed pressure psi	Air consumption scfm	Evacuation time (s/cf) to reach different vacuum levels (-inHg)									Max vacuum -inHg
			3	6	9	12	15	18	21	24	27	
Si	87	3.71	1.13	2.27	3.97	7.08	11.3	16.7	23.2	—	—	22.2
Pi	44	4.24	1.13	2.83	5.10	8.50	13.6	20.1	29.7	52.4	113	27.0
Xi	65	3.88	1.13	2.55	4.82	7.93	12.5	17.8	25.5	36.8	65.2	28.1



ORDERING INFORMATION

Description	Part No.	NACW
piINLINE™ vacuum generator MIDI Si, 8-12 mm	01.22.032	v
piINLINE™ vacuum generator MIDI Pi, 8-12 mm	01.22.899	v
piINLINE™ vacuum generator MIDI Xi, 8-12 mm	01.22.900	v



ORDERING INFORMATION, ACCESSORIES

Description	Part No.	NACW
Snap-in piINLINE™ 1x MIDI mounting bracket	01.23.095	v
Snap-in piINLINE™ 1x MIDI mounting bracket for silencer	01.23.096	v
Silencer piINLINE™ MIDI	01.23.031	v

v = Available in North American Central Warehouse (NACW) .

Vacuum generators
LARGE